

Air cooling with mains connection

Operating Instructions

Scope of delivery

- Air cooling
- Mounting bracket
- 3 pieces Allen head screw M4x8
- 1 piece countersink screw M5x10
- 3 pieces washer
- Operating instructions

Proper use

- The air cooling serves to the cooling of Pfeiffer Vacuum turbopumps at ambient temperatures of max. + 35 °C.
- Type selection according to the accessories recommendation of the respective turbopump.

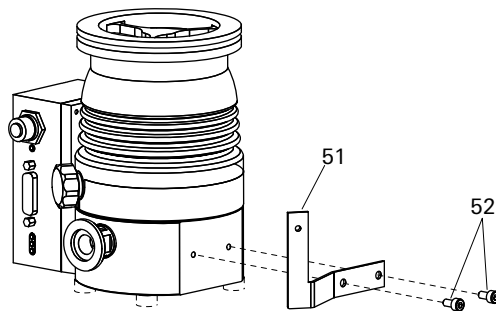
Improper use

Improper use will cause all claims for liability and warranties to be forfeited. Improper use is defined as usage for purposes deviating from those mentioned above, especially:

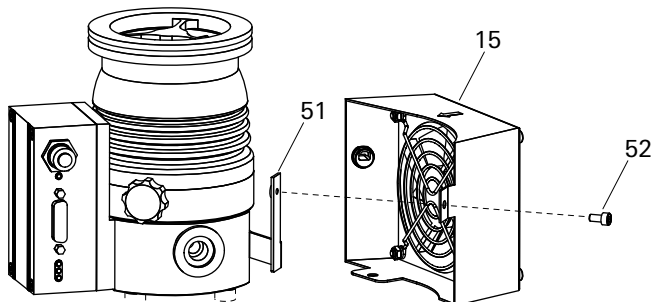
- connection to pumps or units which are not suitable for this purpose according to their operating instructions
- connection to units which have exposed voltage-carrying parts

Installation and operation

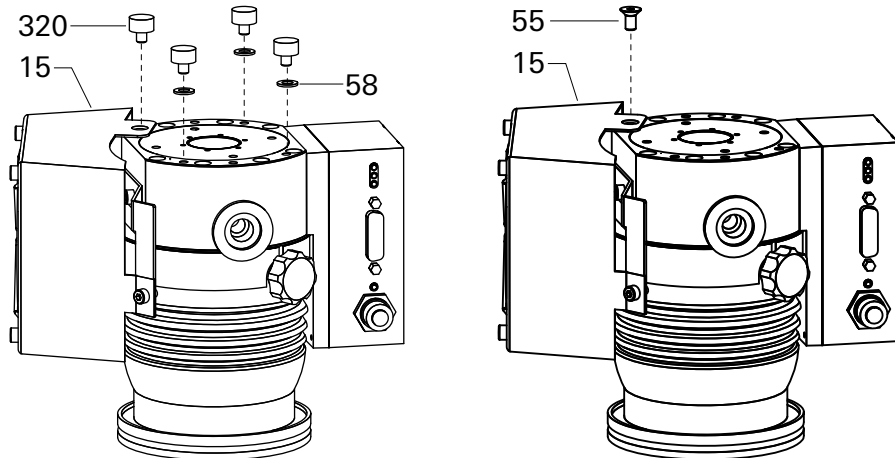
Assembly



→ Fix mounting bracket 51 with two Allen head screws 52 at the pump bottom part.



→ Fix fan housing 15 with Allen head screw 52 at mounting bracket.



- Fix fan housing at the pump. Depending on the use of rubber feet:
- **A:** Fixing with one rubber foot 320. Thereby compensate the remaining three rubber feet 320 with a washer 58 each.
 - **B:** Fixing with countersink screw 55 without use of rubber feet.

Electrical connection

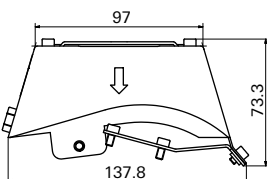
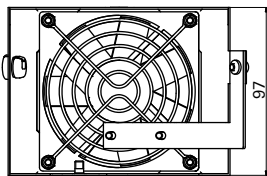


DANGER	
Voltage-bearing elements	
Danger to life from electric shock as a result of improper installation.	
→ Electrical connection may be carried out only by trained and authorised electricians.	
→ Ensure the system is adequately earthed.	
→ Establish an adequate fuse protection on customer side (depending on the model).	



WARNING	
Danger of unsafe electrical installation	
Safe operation after installation is the responsibility of the operator.	
→ Do not independently modify or change the pump and electrical equipment.	
→ Make sure that the system is integrated in an emergency off safety circuit.	
→ Consult Pfeiffer Vacuum for special requirements.	

Technical data, available sizes and variants



	PM Z01 343		PM Z01 344	
Mains connection: voltage	230 V AC		115 V AC	
Mains connection: frequency	50 Hz	60 Hz	50 Hz	60 Hz
Power consumption	13 W	10 W	12 W	9 W
Current consumption	90 mA	70 mA	120 mA	130 mA
Electric connection	field attachable			



Declaration of conformity

according to the EC directive:

- **Electromagnetic Compatibility 2004/108/EC**
- **Low Voltage 2006/95/EEC**

We hereby certify, that the product specified below is in accordance with the provision of EU Electromagnetic Compatibility Directive **2004/108/EEC** and EU Low Voltage Directive **2006/95/EEC**.

Air cooling with mains connection

Guidelines, harmonised standards and national standards and specifications which have been applied:

DIN EN 61010

Signatures:

Pfeiffer Vacuum GmbH
Berliner Straße 43
35614 Asslar
Germany

(M. Bender)
Managing Director

(Dr. M. Wiemer)
Managing Director

CE/2012

**Vacuum solutions
from a single source**

Pfeiffer Vacuum stands for innovative and custom vacuum solutions worldwide, technological perfection, competent advice and reliable service.

**Complete range
of products**

From a single component to complex systems: We are the only supplier of vacuum technology that provides a complete product portfolio.

**Competence in
theory and practice**

Benefit from our know-how and our portfolio of training opportunities! We can support you with your plant layout and provide first-class on-site-service worldwide.

**Are you looking for a
perfect vacuum solution?
Please contact us**

Pfeiffer Vacuum GmbH
Headquarters • Germany
T +49 6441 802-0
info@pfeiffer-vacuum.de
www.pfeiffer-vacuum.com