



OPERATING INSTRUCTIONS

EN

Translation of the Original

ATH 2800 M/MT - ATH 3200 M/MT

Magnetically levitated turbopump

PFEIFFER  **VACUUM**

Disclaimer of liability

These operating instructions describe all models and variants of your product. Note that your product may not be equipped with all features described in this document. Pfeiffer Vacuum constantly adapts its products to the latest state of the art without prior notice. Please take into account that online operating instructions can deviate from the printed operating instructions supplied with your product.

Furthermore, Pfeiffer Vacuum assumes no responsibility or liability for damage resulting from the use of the product that contradicts its proper use or is explicitly defined as foreseeable misuse.

Copyright

This document is the intellectual property of Pfeiffer Vacuum and all contents of this document are protected by copyright. They may not be copied, altered, reproduced or published without the prior written permission of Pfeiffer Vacuum.

We reserve the right to make changes to the technical data and information in this document.

Table of contents

1	About this manual	7
1.1	Validity	7
	1.1.1 Applicable documents	7
	1.1.2 Products concerned	7
1.2	Conventions	7
	1.2.1 Pictographs	7
	1.2.2 Target group	7
	1.2.3 Instructions in the text	7
	1.2.4 Labels	8
	1.2.5 Abbreviations	9
2	Safety	10
2.1	General safety information	10
2.2	Safety instructions	10
2.3	Safety instructions relating to flammable/pyrophoric materials	12
2.4	Precautions	13
2.5	Intended use	14
2.6	Misuse	14
3	Transportation and Storage	15
3.1	Receipt of the product	15
3.2	Handling the pump	15
3.3	Storage	16
4	Product description	17
4.1	Product identification	17
	4.1.1 Scope of delivery	17
	4.1.2 Product applications	17
4.2	Human/Machine Interface	18
5	Installation	19
5.1	Equipment installation conditions	19
	5.1.1 Installation specifications	19
	5.1.2 Securing the equipment and the frame	21
5.2	Positioning the pump	21
5.3	Connecting to the pumping line	23
	5.3.1 Pump inlet connection	24
	5.3.2 Pump exhaust connection	24
5.4	Connecting the water circuit	25
	5.4.1 Procedure for assembling connectors	25
	5.4.2 Connecting the pump to the water circuit	26
5.5	Nitrogen circuit connection	26
5.6	Connection of the air inlet solenoid valve	28
5.7	Check that the installation is leak tight	29
5.8	Electrical connection	29
	5.8.1 Customer electrical installation protection	30
6	Operation	32
6.1	Preliminary precautions for use	32
6.2	Starting the pump	32
	6.2.1 Powering on	32
	6.2.2 Pumping start-up	33
	6.2.3 Restarting the pump after an emergency equipment stop	33
6.3	Shutting down the pump	34
	6.3.1 Pumping shutdown	34
	6.3.2 Powering off	35
	6.3.3 Prolonged stoppage	35

6.4	Operation monitoring	35
7	Maintenance	36
7.1	Maintenance safety instructions	36
7.2	Maintenance frequency	37
7.3	On-site maintenance	38
7.4	Exchange procedure by a replacement product	38
	7.4.1 Disconnecting the pump from the installation	38
	7.4.2 Draining the water circuit	39
	7.4.3 Preparing the pump for shipping	39
8	Decommissioning	41
8.1	Shutting down for longer periods	41
8.2	Recommissioning	41
8.3	Disposal	41
9	Service solutions by Pfeiffer Vacuum	42
10	Accessories	44
11	Spare parts	45
12	Technical data and dimensions	46
12.1	General	46
12.2	Technical characteristics	46
12.3	Environmental characteristics	47
12.4	Cooling water characteristics	48
12.5	Nitrogen characteristics	48
12.6	Electrical characteristics	49
12.7	Dimensions and weight	49
	UK Declaration of Conformity	53
	EC Declaration of Conformity	54

List of tables

Tbl. 1:	Loads exerted on the equipment	21
Tbl. 2:	Securing the high vacuum flange (inlet flange)	21
Tbl. 3:	Conversion table: Pressure units	46
Tbl. 4:	Conversion table: Units for gas throughput	46
Tbl. 5:	Environmental characteristics	48
Tbl. 6:	Cooling water characteristics	48
Tbl. 7:	Nitrogen characteristics	48
Tbl. 8:	Electrical characteristics of the pump	49
Tbl. 9:	Electrical characteristics of the customer's network	49

List of figures

Fig. 1:	Description of an ATH 2800 MT pump	18
Fig. 2:	Description of an ATH 3200 M pump	18
Fig. 3:	Mechanical connection of the pump to the equipment	19
Fig. 4:	Graph of the loads exerted on the equipment - ATH 2800 M-MT / 3200 M-MT	20
Fig. 5:	Installing the pump horizontally	22
Fig. 6:	Installing the pump inlet facing up	23
Fig. 7:	Connection to the water-cooling circuit	26
Fig. 8:	Purge flow diagram	27
Fig. 9:	ATH 2800 M dimensions	49
Fig. 10:	ATH 2800 MT dimensions	49
Fig. 11:	ATH 3200 M dimensions	50
Fig. 12:	ATH 3200 MT dimensions	50
Fig. 13:	Dimensions of Purge solenoid valve	51
Fig. 14:	Dimensions of Air inlet solenoid valve	51
Fig. 15:	Dimensions of water valve	52

1 About this manual



IMPORTANT

Read carefully before use.
Keep the manual for future consultation.

1.1 Validity

These operating instructions are a customer document of Pfeiffer Vacuum. The operating instructions describe the functions of the named product and provide the most important information for the safe use of the device. The description is written in accordance with the valid directives. The information in these operating instructions refers to the product's current development status. The document shall remain valid provided that the customer does not make any changes to the product.

1.1.1 Applicable documents

Document	Part number
Operating instructions for Magpower	129056
Declaration of conformity	included with these operating instructions

1.1.2 Products concerned

This document applies to products with the following part numbers:

Part Number	Description
U264xxxx U266xxxx	ATH 2800 M pumps for clean applications
U664xxxx U666xxxx	ATH 2800 MT pumps for heavy-duty applications
U2DAxxxx U2C6xxxx	ATH 3200 M pumps for clean applications
U6C6xxxx	ATH 3200 MT pumps for heavy-duty applications

1.2 Conventions

1.2.1 Pictographs

Pictographs used in the document indicate useful information.



Note



Tip

1.2.2 Target group

This user manual is intended for all persons in charge of transport, installation, commissioning/decommissioning, use, maintenance or storage of the product.

The work described in this document must only be carried out by persons with suitable technical training (specialized staff) or persons who have undergone Pfeiffer Vacuum training.

1.2.3 Instructions in the text

Usage instructions in the document follow a general structure that is complete in itself. The required action is indicated by an individual step or multi-part action steps.

Individual action step

A horizontal, solid triangle indicates the only step in an action.


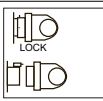

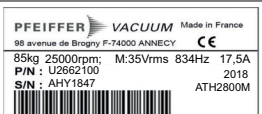
- ▶ This is an individual action step.


Sequence of multi-part action steps

The numerical list indicates an action with multiple necessary steps.

1. Step 1
2. Step 2
3. ...


1.2.4 Labels

PURGE	Purge circuit connection
PUMP EXHAUST	Pump exhaust
WATER MAX Pr 7 bar/101 psi	Maximum water circuit pressure
WATER	Water circuit connection
	Functional grounding connection
	Locking the connector before using the pump. Do not disconnect before the pump has stopped
	Direction of rotation of the pump rotor
	Product rating plate (example)




WARNING
HAZARDOUS VOLTAGE
Switch off the pump and disconnect the main power cable before opening the power box cover.

This label indicates that certain internal components carry an electric charge and can cause electric shock if touched: before working on the pump, always either disconnect it, or lock out/tag out the installation breaker in the appropriate manner.



WARNING
HEAVY OBJECT
Can cause muscle strain or back injury. Use lifting aids and proper lifting techniques when removing or replacing.

This label indicates that the product should not be handled manually due to its weight and that appropriate handling devices should always be used.




WARNING
Don't remove the pump connector when the pump is running

This label means that the user must lock the connector before using the pump. Do not disconnect before the pump has stopped.



WARNING
DO NOT TOUCH WHEN THE PUMP IS RUNNING

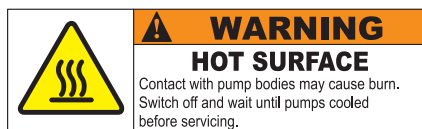
This label warns users about the risk of crushing or cutting due to moving parts: keep a safe distance and/or keep your hands away from the moving parts.



SEE MANUAL BEFORE USE

Any person responsible for installation or operation of the product must first refer to the operating manual.

The product comes with a sheet of labels including other language versions. The installer must stick these labels to the most appropriate and visible place on the pump to warn the operator about potential hazards:



This label warns users that they risk being injured if their hands come into contact with a hot surface: protective gloves must be worn at all times when working on the pump.



This label warns users about pumped process gases that can be dangerous or toxic and lead to severe injury or death. It specifies that only trained personnel should perform preventive maintenance operations.

1.2.5 Abbreviations

AMB	Active magnetic bearings
EMC	Electromagnetic compatibility
Exh.	Exhaust
EMS	Emergency Machine Stop
HHR	Hand Held Remote
IN	Inlet flange
LEL	Lower Explosive Limit
M	Pump version without temperature management system (no TMS)
MT	Pump version equipped with a temperature management system (TMS)
Magpower	Electronic drive unit (box)
OBC	Electronic drive unit mounted to an active magnetic bearing turbopump
TMS	Temperature Management System

2 Safety

2.1 General safety information

The following 4 risk levels and 1 information level are taken into account in this document.

⚠ DANGER
<p>Immediately pending danger</p> <p>Indicates an immediately pending danger that will result in death or serious injury if not observed.</p> <ul style="list-style-type: none"> ▶ Instructions to avoid the danger situation

⚠ WARNING
<p>Potential pending danger</p> <p>Indicates a pending danger that could result in death or serious injury if not observed.</p> <ul style="list-style-type: none"> ▶ Instructions to avoid the danger situation

⚠ CAUTION
<p>Potential pending danger</p> <p>Indicates a pending danger that could result in minor injuries if not observed.</p> <ul style="list-style-type: none"> ▶ Instructions to avoid the danger situation

NOTICE
<p>Danger of damage to property</p> <p>Is used to highlight actions that are not associated with personal injury.</p> <ul style="list-style-type: none"> ▶ Instructions to avoid damage to property

i	<p>Notes, tips or examples indicate important information about the product or about this document.</p>
----------	---

2.2 Safety instructions

All safety instructions in this document are based on the results of the risk assessment carried out in accordance with Machinery Directive 2006/42/EC Annex I and EN ISO 12100 Section 5. Where applicable, all life cycle phases of the product were taken into account.

⚠ WARNING
<p>Risk of crushing when the product is slung</p> <p>Given the heaviness of the product, there is a risk of crushing during handling operations involving lifting devices. Under no circumstances shall the manufacturer be liable if the following instructions are not followed:</p> <ul style="list-style-type: none"> ▶ Only qualified staff trained in handling heavy objects are authorized to handle the product. ▶ The lifting devices provided must be used and the procedures set out in this document must be followed.

⚠ WARNING**Risk of electric shock due to non-compliant electrical installations**

This product uses mains voltage for its power supply. Non-compliant electrical installations or installations not done to professional standards may endanger the user's life.

- ▶ Only qualified technicians trained in the relevant electrical safety and EMC regulations are authorized to work on the electrical installation.
- ▶ This product must not be modified or converted arbitrarily.
- ▶ Check that the product is properly connected to the equipment's or pumping installation's emergency stop circuit.

⚠ WARNING**Danger of electrocution by contact during maintenance or overhaul**

There is an electric shock hazard in case of contact with a product powered on and not electrically isolated.

- ▶ Before carrying out any work, set the main switch to **O**.
- ▶ Disconnect the power cable from the mains.
- ▶ Secure the installation correctly by tagging and locking (LO/TO) the system to prevent unintentional re-engagement.

⚠ WARNING**Risk of serious injury caused by the separation of the pump when the rotor is blocked**

If the pump is not secured properly and the rotor suddenly becomes blocked, the turbomolecular pump will detach from the equipment: the energy released could launch the entire pump or pieces of the pump across the room. This could cause severe, possibly fatal, injuries as well as serious property damage.

- ▶ Strictly comply with the installation instructions described in this manual. Pfeiffer Vacuum will be released from any warranty and liability for non-compliance with installation instructions.
- ▶ Only use approved original parts from Pfeiffer Vacuum for connection to the equipment (see accessories).

⚠ WARNING**Risk of poisoning when process gases are present in the atmosphere**

The manufacturer has no control over the types of gases used with the pump. Process gases are often toxic, flammable, corrosive, explosive and/or otherwise reactive. There is a risk of serious or fatal injury if these gases are allowed to escape freely into the atmosphere.

- ▶ Apply the relevant safety instructions in accordance with local regulation. This information is available from the operator's safety department.
- ▶ **Always connect the turbomolecular pump's exhaust to a backing pump compatible with process gases:** the backing pump's exhaust is connected to the installation's dangerous gas extraction system
- ▶ Regularly check that there are no leaks where the pump connects to the exhaust pipework.

⚠ WARNING**Risk of injury in case of contact with pressurized nitrogen**

The product uses pressurized nitrogen as a flushing gas. Non-compliant installations or installations not done to professional standards may endanger the user's life.

- ▶ Install a manual valve on the circuit at a distance of 3 m from the product, so that the nitrogen supply can be locked out.
- ▶ Observe the recommended supply pressure.
- ▶ Always lock out and disconnect the nitrogen circuit before working on the product.
- ▶ When carrying out maintenance, secure the installation properly by locating and locking out the pressurized nitrogen circuit to prevent it from being re-engaged by accident (LO/TO Lock Out/Tag Out procedure).
- ▶ Regularly check the condition of the pipework and supply circuit connections.

⚠ WARNING

Risk of injury in case of contact with pressurized water

The product uses pressurized water as a cooling fluid. Non-compliant installations or installations not done to professional standards may endanger the user's life.

- ▶ Install a manual valve on the circuit at a distance of 3 m from the product, so that the water supply can be locked out.
- ▶ Observe the recommended pressure and pressure differences.
- ▶ Always lock out and disconnect the water circuit before working on the product.
- ▶ When carrying out maintenance, secure the installation properly by locating and locking out the pressurized water circuit to prevent it from being re-engaged by accident (LO/TO Lock Out/Tag Out procedure).
- ▶ Regularly check the condition of the pipework and supply circuit connections.

⚠ WARNING

Risk of cuts on moving, sharp-edged parts when reaching into the open high vacuum flange

With the high vacuum flange open, access to sharp-edged parts is possible. A manual rotation of the rotor increases the danger situation. There is the risk of cuts, up to the separation of body parts (e.g. fingertips). There is a risk of hair and loose clothing being drawn in. Objects falling in destroy the turbopump during subsequent operation.

- ▶ Only remove the original protective covers immediately prior to connecting the high vacuum flange.
- ▶ Do not reach into the high vacuum connection.
- ▶ Wear protective gloves during installation.
- ▶ Do not start the turbopump with open vacuum connections.
- ▶ Always carry out the mechanical installation before electrical connection.
- ▶ Prevent access to the high vacuum connection of the turbopump from the operator side (e.g. open vacuum chamber).

⚠ WARNING

Risk of burns in case of contact with hot surfaces

For the operator's safety, the products are designed to avoid thermal risk. Depending on the application, the conditions of use generate high temperatures which require extra caution from users (surfaces > 65 °C).

- ▶ Pay attention to the marking of hot surfaces indicated by safety labels.
- ▶ Wait for the product to fully cool down before working on it.
- ▶ Protective gloves must be worn in accordance with standard EN ISO 21420.

2.3 Safety instructions relating to flammable/pyrophoric materials

It is the user and/or integrator who is/are solely responsible for the safety of the pump installation, the equipment and the gas exhaust extraction system. The user and/or the integrator is responsible for the application which uses the product.

Pumping pyrophoric or flammable gases may be hazardous. The user and/or integrator must comply with the safety instructions below and conduct a risk assessment.

⚠ DANGER

Danger of death by explosion or fire related to pyrophoric/flammable gases

Semiconductor, photovoltaic panel, flat panel display and industrial processes may use pyrophoric or flammable gases. When mixed with oxidizing agents, these gases can spontaneously combust (pyrophoric gases) or combust when ignited as a result of an unintended chemical reaction (flammable gases). In the worst case scenario, this could start a fire or set off an explosion causing metal parts to be ejected and serious injury to nearby persons.

- ▶ Conduct a risk assessment to assess the dangers before installing the pump.
- ▶ Install safety systems that comply with the requirements of the EN 50495 standard.

The risk assessment must take into account the pumped gases, by-products, and all components making up the installation. The following situations are hazardous and must be avoided at all cost:

- Flammable or pyrophoric gas concentrations in the flammable range.
- Flammable or pyrophoric gas concentrations above the flammable range (a leak could potentially cause the concentration to drop down into the flammable range).
- Insufficient dilution.
- An accumulation of reactive solids in the exhaust.
- Exposure of chemically-reduced species or reducing agents to oxidizing agents.

The following general safety recommendations must be applied:

- Ensure leak-tightness throughout system.
- Do not allow oxidizing agents (air, other gases, etc.) to mix with flammable/pyrophoric gases. ¹⁾
- Ensure that the oxidizing agent concentration does not exceed 60% of the maximum permissible concentration of the oxidizing agent gas (MOC) ²⁾, mainly when the dilution is not sufficiently high to reach 25% of the LEL.
- Perform a nitrogen gas purge prior to carrying out maintenance on the pumping line (inlet side, pump and exhaust lines).
- Regularly clean away reactive by-products such as silicon dust from the exhaust line to prevent clogging and/or explosion.

For further details on the safety instructions relating to flammable and pyrophoric gases, contact our service center.

Affix labels to the pump to identify the hazards inherent in all the above applications (flammability, explosion, toxicity, corrosion, etc.) and comply with the SEMI S1 requirements. This information must be added to the equipment operating instructions intended for end users.

2.4 Precautions



Duty to provide information on potential dangers

The product holder or user is obliged to make all operating personnel aware of dangers posed by this product.

Every person who is involved in the installation, operation or maintenance of the product must read, understand and adhere to the safety-related parts of this document.



Infringement of conformity due to modifications to the product

The Declaration of Conformity from the manufacturer is no longer valid if the operator changes the original product or installs additional equipment.

- Following the installation into a system, the operator is required to check and re-evaluate the conformity of the overall system in the context of the relevant European Directives, before commissioning that system.

Only qualified personnel trained in safety regulations (EMC, electrical safety, chemical pollution) are authorized to carry out the installation and maintenance described in this manual. Our service centers can provide the necessary training.

- ▶ **Secure the pump in strict compliance with the installation requirements.**
- ▶ Do not expose any part of the human body to the vacuum.
- ▶ Follow the safety and accident prevention requirements.
- ▶ Regularly check compliance with all precautionary measures.
- ▶ Do not remove the blanking plates sealing the inlet and exhaust ports if the product is not connected to the pumping line.
- ▶ Do not operate the product unless the inlet and exhaust are connected to a vacuum and exhaust pumping line.
- ▶ Before working on the inlet flange, wait until the rotor is immobilized.
- ▶ Keep pipes and cables well away from hot surfaces (> 70°C).

1) Reference NFPA 69-2019, § 8.3.1 chap.8 Deflagration prevention by combustible concentration reduction.

2) Reference NFPA 69-2019, § 7.7.2.5 chap.7 Deflagration prevention by oxydant concentration reduction.

2.5 Intended use

- The vacuum pump should only be used to generate a vacuum while pumping gases.
- The turbomolecular pump must be combined with an appropriate backing pump.
- The vacuum pump must be integrated into industrial equipment.
- The pump must operate with a Magpower electronic drive unit.
- The MT Version pump can be used to pump condensable fluids as long as condensation does not occur in the pump.

When the pump is integrated into industrial equipment, it becomes a pumping component: the integrator of this component must provide the operator with all safety measures, notably for hot surface risks.

2.6 Misuse

Misuse of the product will render the warranty and any claims void. Any use, whether intended or not, that diverges from the uses already mentioned will be treated as non-compliant; this includes but is not limited to:

- Pumping reactive fluids
- Pumping of corrosive or explosive media
- Pumping liquids
- Pumping of solids
- Pumping dust particles
- Pumping of media with risk of condensables (M version)
- Operation with improper high gas throughput
- Operation with improper high fore-vacuum pressure
- Operation with improper high levels of radiated heat input
- Venting with improper high venting rates
- Using accessories or spare parts not mentioned in these operating instructions
- Using the pump in potentially explosive areas
- Using the vacuum pump to generate pressure
- Operation in areas with ionizing radiation
- Operation in improper high magnetic fields
- Use of the devices in systems in which impact-like stress and vibrations or periodic forces affect the devices

3 Transportation and Storage

3.1 Receipt of the product



Condition of the delivery

- Check that the product has not been damaged during transport.
- If the product is damaged, take the necessary measures with the carrier **and** notify the manufacturer.

- ▶ Keep the product in its original packaging so it stays as clean as it was when dispatched by us. Only unpack the product once it has arrived at the location where it will be used.
- ▶ Keep the blanking plates in place on the inlet, exhaust and purge ports while the product is not connected to the pumping line.



Keep the packaging (recyclable materials) in case the product needs to be transported or stored.

3.2 Handling the pump

WARNING

Risk of crushing when the product is slung

Given the heaviness of the product, there is a risk of crushing during handling operations involving lifting devices. Under no circumstances shall the manufacturer be liable if the following instructions are not followed:

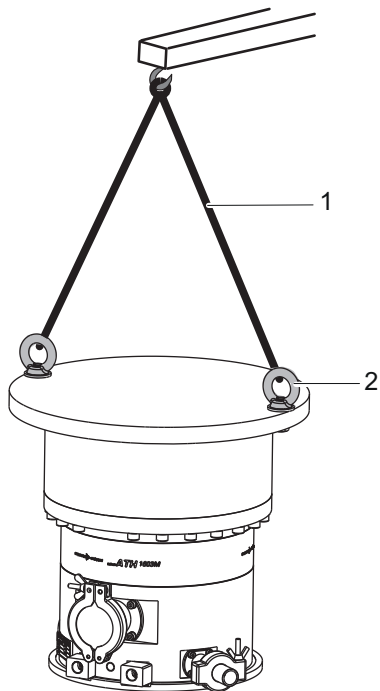
- ▶ Only qualified staff trained in handling heavy objects are authorized to handle the product.
- ▶ The lifting devices provided **must be used** and the procedures set out in this document must be followed.

WARNING

Risk of crushing due to product tilting

Even though compliance with EU safety rules is guaranteed, all necessary precautions should be taken when handling and installing the product **until the pump has been integrated into the equipment**.

- ▶ Do not place the pump on an inclined plane.
- ▶ Do not push the pump sideways.
- ▶ Always secure the pump until it has been integrated into the equipment (mounting holes in the inlet flange).



1. Strap
2. Lifting ring

Handling the pump using a hoist

When handling the pump, **a lifting device appropriate for the weight of the product must be used.** The weight and center of gravity vary depending on the model (see chapter "Dimensions").

1. Use the lifting rings installed on the product or electronic drive unit (where applicable).
2. Use a lifting sling with several arms with a minimum length of 500 mm
3. Secure the pump using lifting rings and hoist it.
4. **Always transport** the turbomolecular pump in an upright position.

Handle the pump with inlet facing up

When handling the pump "inlet facing up", an appropriate handling device as well as mounting accessories must be used.

1. Affix the pump to the handling device using the 2 M10 holes at the rear of the pump and hoist it.
2. **Always transport** the turbomolecular pump in an upright position.

3.3 Storage

Storing a new pump

- ▶ Keep the pump wrapped in its protective envelope.
- ▶ **Always** leave the inlet, the exhaust and purge blanking plates in place.
- ▶ Store the pump in line with the permitted storage temperatures (see chapter "Environmental conditions").
- ▶ Store the pump in a clean, dry and non-contaminated area, **for a maximum period of 1 year.**

Storage after use

- ▶ To store a pump that has been used, (see chapter "Shutting down for longer periods").

4 Product description

4.1 Product identification

To correctly identify the product when communicating with our service center, always have the information from the product rating plate available (see chapter "Labels").

4.1.1 Scope of delivery

- 1 magnetically levitated turbomolecular pump
- 1 splinter shield (in the pump inlet flange)
- 2 lifting rings installed on the pump
- 1 sheet of safety labels
- 1 operating instructions

and, depending on the ordering guide, the following components are present:

- 1 copper gasket
- 1 purge solenoid valve
- 1 purge flow reduction device
- 1 set of screws and bolts
- 1 air inlet solenoid valve



The hand-held remote control (HHR) is not included in the order. To order, see chapter "Accessories".

4.1.2 Product applications

The pump manufacturer has developed a range of reliable, high performance magnetically levitated turbopumps with active magnetic bearings (AMB) and compression stages. They are specially adapted for coating and dry-etching plasma processes, for glass coating as well as for R&D applications. These pumps are equipped with an deported electronic drive unit.

These pumps are characterized by their resistance to corrosion, robustness, high gas throughput at high operating pressure and lack of maintenance requirements.

For more detailed information on specific applications, please contact us.

Rotation speed

The magnetically levitated pump rotation speed can be selected and set between a minimum speed and the nominal speed. This makes it possible to optimize pumping characteristics according to each application (for example, high pressure pumping). A distinction is made between the following speeds:

- Selected rotation speed (= Stand-by speed) between minimum speed and the nominal rotation speed
- Nominal rotation speed set in the factory

M version pump

Standard version is suitable for the most of clean applications. This pump version has no temperature management system (no TMS).

MT version pump

This MT version is recommended for any application where high temperature for the pump and gases are demanded in order to minimize the condensation in the pump. This pump version is equipped with a temperature management system (TMS). The temperature management is controlled via the integrated electronic drive unit.

4.2 Human/Machine Interface

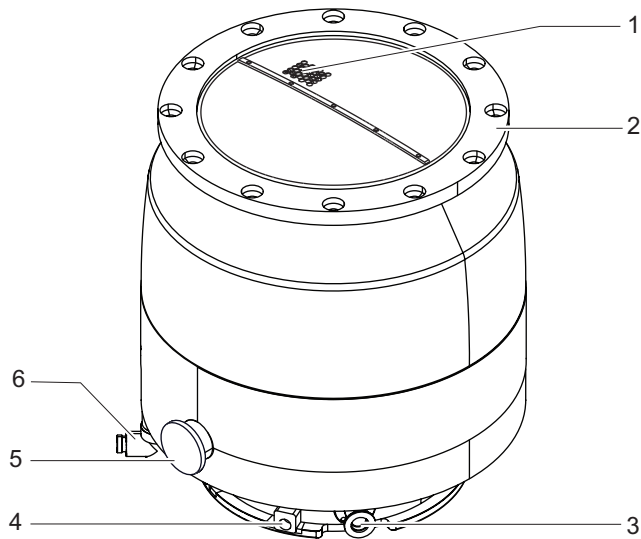


Fig. 1: Description of an ATH 2800 MT pump

- | | |
|------------------------------|---------------------------------|
| 1 Splinter shield | 4 WATER IN connection |
| 2 Inlet flange (high vacuum) | 5 Exhaust flange (PUMP EXHAUST) |
| 3 Neutral gas purge | 6 Heater band connector |

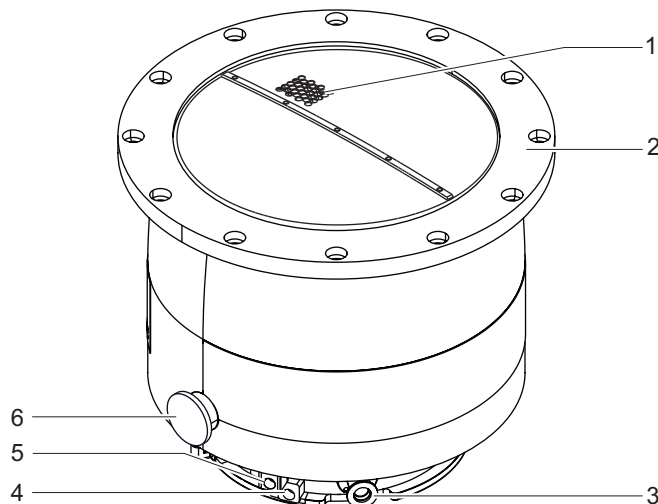


Fig. 2: Description of an ATH 3200 M pump

- | | |
|------------------------------|---------------------------------|
| 1 Splinter shield | 4 WATER IN connection |
| 2 Inlet flange (high vacuum) | 5 WATER OUT connection |
| 3 Neutral gas purge | 6 Exhaust flange (PUMP EXHAUST) |

5 Installation

The installation of the turbopump and its fastening is of outstanding importance. The rotor of the turbopump revolves at very high speed. In practice it is not possible to exclude the risk of the rotor touching the stator (e.g. due to the penetration of foreign bodies into the high vacuum connection). The kinetic energy released acts on the housing and on the anchoring of the turbopump within fractions of a second.

Comprehensive tests and calculations conforming to ISO 27892 confirm the safety of the turbopump both against crashes (destruction of the rotor blades) and against bursting (breakage of the rotor shaft). The experimental and theoretical results are expressed in safety measures and recommendations for the correct and safe fastening of the turbopump.

5.1 Equipment installation conditions

⚠ WARNING

Risk of serious injury caused by the separation of the pump when the rotor is blocked

If the pump is not secured properly and the rotor suddenly becomes blocked, the turbomolecular pump will detach from the equipment: the energy released could launch the entire pump or pieces of the pump across the room. This could cause severe, possibly fatal, injuries as well as serious property damage.

- ▶ Strictly comply with the installation instructions described in this manual. Pfeiffer Vacuum will be released from any warranty and liability for non-compliance with installation instructions.
- ▶ Only use approved original parts from Pfeiffer Vacuum for connection to the equipment (see accessories).

The equipment frame on which the pump is installed must be sufficiently rigid to absorb the kinetic energy if the rotor blocks suddenly. For this, take into account:

- The maximum loads to calculate the attachment devices.
- The inlet flange dimensions.
- The quality and number of screws.
- The type of connection between the pump inlet and the chamber to be pumped.

When the pump is connected according to the manufacturer's recommendations, in case of overpressure resulting from an incident, the pump enclosure can withstand maximum static pressure of $11 \cdot 10^3$ hPa for 1 minute.

5.1.1 Installation specifications

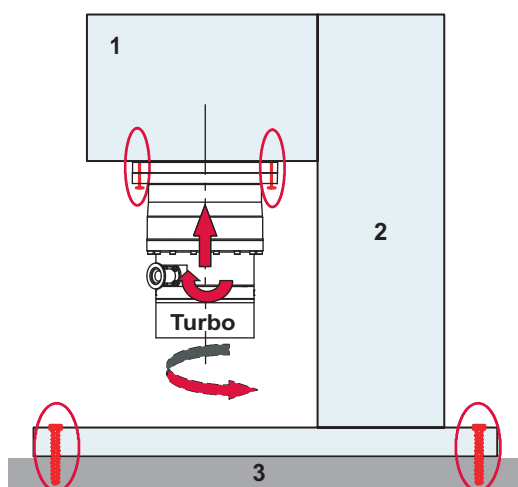


Fig. 3: Mechanical connection of the pump to the equipment

- | | |
|------------------|---------------------|
| 1 Vacuum chamber | 3 Frame |
| 2 Equipment | Secure anchor point |

Description of a sudden blocking scenario

The kinetic energy of the rotor has to be absorbed by the installation if the pump blocks suddenly. The maximum resulting loads have been measured on a test bench by simulating the worst-case turbo pump blockage with a rotor split in two with the pump rotating at nominal speed. The impact of the rotor parts creates the following transient loads.

Axial force (A)

The rotor parts can be ejected out of the pump inlet flange and can hit the valve plate or any other part of the system. If this is placed close to the turbo pump and if it has high stiffness, the impact can create a high axial force on the installation. Such axial force has not been observed on a standard pendulum valve, or when there is a free space greater than 100 mm.

Bending moment (B)

The impact of the rotor parts on the housing will create a radial force on the housing. This radial force will create a bending moment on the system as a function of the distance to the pump.

Torque (C)

The deceleration of the rotor parts creates a torque value on the pump housing, which is transmitted to the system. The maximum values of the axial force and the bending moment occur at approximately the same time. A delay of up to several ms has been observed for the maximum torque value.

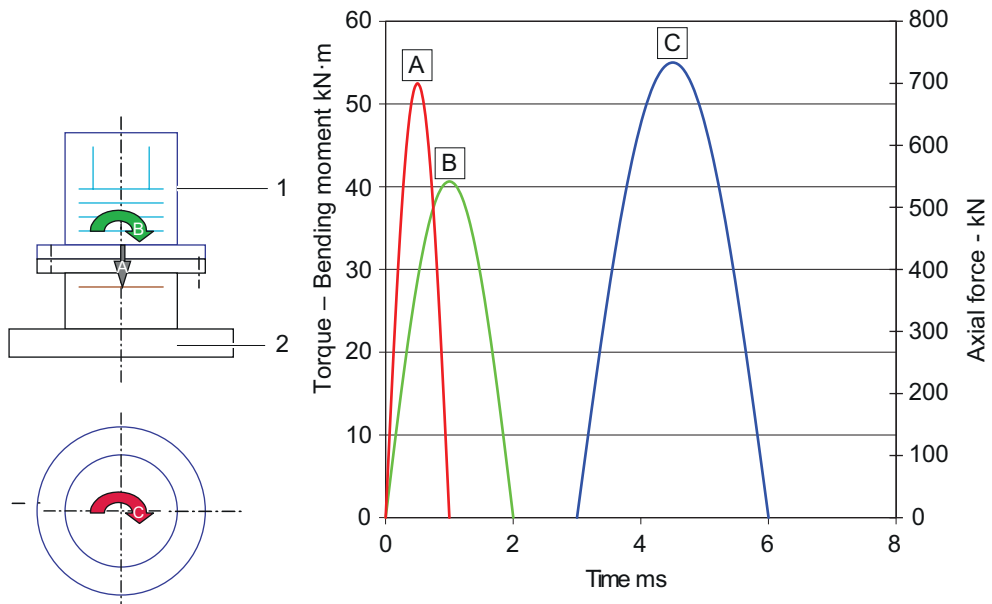


Fig. 4: Graph of the loads exerted on the equipment - ATH 2800 M-MT / 3200 M-MT

1 Turbopump 2 Pendulum valve

Characteristics	Unit	ATH 2800 M/MT	ATH 3200 M/MT
Nominal speed	min ⁻¹	25000	25000
Energy	kJ	166	166
Torque (C)	Max. kN·m	58	58
	Duration ms	3	3
	Delay ms	3	3
Bending moment (B)	Max. kN·m	40	40
	Duration ms	2	2
	Delay ms	0	0

1) Maximum axial force occurs when pump inlet is blocked by the rigid parts. There is no load on the equipment in case of limited stiffness, e.g. with a valve.

Characteristics	Unit	ATH 2800 M/MT	ATH 3200 M/MT
Axial force (A) ¹⁾	Max. kN	0	700
	Duration ms	0	1
	Delay ms	0	0

1) Maximum axial force occurs when pump inlet is blocked by the rigid parts. There is no load on the equipment in case of limited stiffness, e.g. with a valve.

Tbl. 1: Loads exerted on the equipment

5.1.2 Securing the equipment and the frame

Fastening the pump to the equipment

The maximum load caused by a sudden blockage must be absorbed by the pump's fastening elements.

- ▶ Design and secure the frame of the pump so that it can withstand the maximum load.
- ▶ The screws **must be** tightened with a torque wrench in accordance with the tightening torques in the following table:
 - if the torque is low: risk of screws loosening.
 - if the torque is high: risk of the screws deteriorating.

	ATH 2800 M	ATH 3200 M
Type of inlet flange	DN250 ISO-F	DN320 ISO-F
Type of screw ¹⁾	M 10	M 12
Number of screws ¹⁾	12	12
Screw metric grade ¹⁾	12-9	12-9
Tightening torque per screw ¹⁾	30 N·m	50 N·m
Total clamping force	161500 N	232500 N
Screws length	≥ 35 mm	≥ 35 mm

1) The type, number, grade and tightening torque of the screws are **imposed** and **mandatory**.

Tbl. 2: Securing the high vacuum flange (inlet flange)

The manufacturer recommends using set of screws designed for this purpose (accessories). Contact our service center.

Frame fastening

If the frame is not designed to withstand the maximum loads in case of sudden blockage, contact our service center who will help you design your installation.

5.2 Positioning the pump

NOTICE

Damage to pump caused by external vibrations

Vibrations from outside or impacts on the pump can overload the magnetic bearings resulting in stress on the landing bearings.

- ▶ Lateral and tilting movements of the pump must be avoided.
- ▶ External agitation must be compensated for by an appropriate system design.
- ▶ Secure the vacuum chamber provided by the customer against moving and tilting.

CAUTION

Risk of falling due to poorly-secured cables or pipework

The space around the pump must be kept clear of obstacles to prevent falls from potentially occurring.

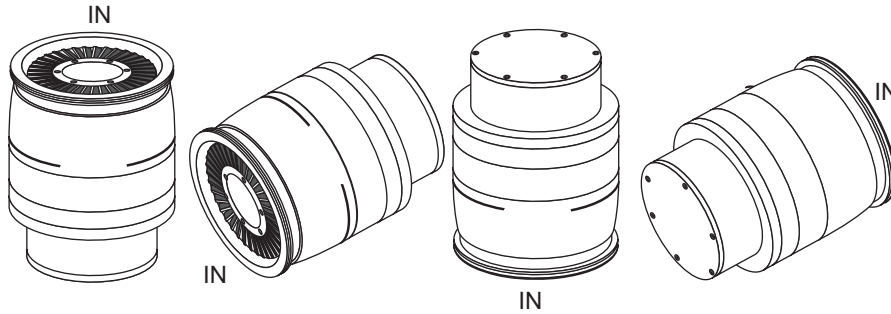
- ▶ Route and secure electric cables and pipework in the appropriate pathways.

The manufacturer guarantees proper operation of the pump if it is used in a uniform magnetic field up to 0.5 mT. From 0.5 to 5 mT, proper operation depends on cooling and gas loads. A magnetic field exceeding 5 mT can cause excessive rotor heating. In this case, suitable shielding must be provided.

The standalone pump can withstand radiation levels of up to 10^3 Gy.

The turbomolecular pump cannot evacuate at atmospheric pressure; it must be connected to a backing pump. For a transient period, they can start to run at atmospheric pressure.

The turbomolecular pump can operate in any position.



Positioning the pump

1. Handling the pump, (see chapter “Handling the pump”).
2. Connect and secure the turbomolecular pump fastening to ensure operator safety and operational reliability (see chapter “Installation specifications”).
3. Stick the safety labels in the operator’s language to the most appropriate and visible place on the pump to warn the operator about potential hazards.

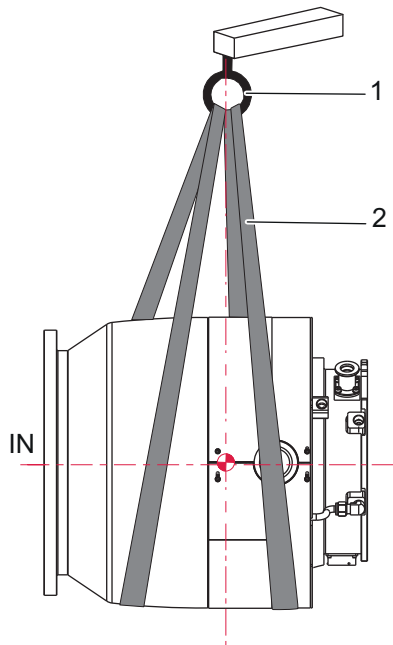


Fig. 5: Installing the pump horizontally

- 1 Safety hook
- 2 Strap (Qty2)

Installing the pump horizontally

When handling the pump, **a lifting device appropriate for the weight of the product must be used.** The weight and center of gravity vary depending on the model (see chapters “Technical data” and “Dimensions”).

1. Use 2 EN-1492-1 approved multi-strand straps that can support the weight of the pump.
2. Use approved accessories to attach the pump to the lifting device (e.g. hook with safety lock).
3. Position the straps securely around the pump.
4. **Position the lifting device hook vertically above the center of gravity.**

5. Hoist up the pump and move it to its location on the frame.
6. Keep the pump hanged all the installation time until the high vacuum flange is secured.

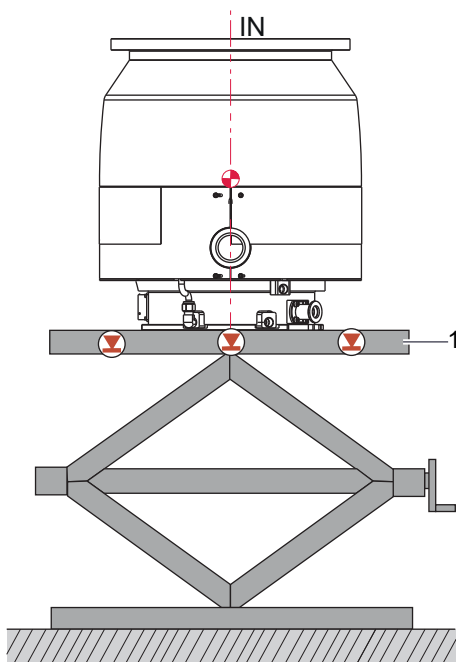


Fig. 6: Installing the pump inlet facing up

- 1 Lifting table (example)

Installing the pump inlet facing up

When handling the pump, **a lifting device appropriate for the weight of the product must be used**. The weight and center of gravity vary depending on the model (see chapters “Technical data” and “Dimensions”).

1. Affix the pump to the lifting device by using the holes designed and labelled for this purpose to avoid the tilting of the pump.
2. Keep the pump attached to the lifting device until the high vacuum flange is secured.

5.3 Connecting to the pumping line

The presence of pyrophoric, flammable or toxic materials in the pump can lead to additional risks, which the operator must assess and manage for the entire pumping installation.

The user and/or product OEM is ultimately responsible for the equipment and must apply the specific safety instructions, in accordance with local regulation.

⚠ DANGER

Danger of death by fire when pumping flammable gases

There is a fire risk caused by an unintended chemical reaction (ignition) between two pumped flammable materials.

- ▶ Provide an electromechanical LEL detection device in the extraction system (detection capability at 25% of the LEL) that will stop chemical supply to the pump when gas is detected over 25% of the LEL for that flammable material.

⚠ WARNING

Risk of crushing and/or cutting in case of contact with moving parts

The pump inlet flange is large enough for body part (finger or hand) to be inserted into it, presenting a risk of crushing due to contact with moving parts. The inlet and exhaust ports should be sealed with blanking plates before connection.

- ▶ Wait for the pumping line to be connected before removing the blanking plates.
- ▶ **Wait for the pump to be connected before powering on.**

General instructions for installing the pump in the pumping line in accordance with industry best practice

The inlet and exhaust connections must not put undue strain on the pumping line that could cause leakage.

1. Wear gloves to connect and remove the pump from the equipment.
2. Always complete the mechanical installation before the electrical connection.
3. **Avoid connecting a reducing flange to the pump inlet.** Contact us if necessary.
4. **Check that the splinter shield is installed in the inlet flange.**
5. Only use accessories on the pumping line, for the inlet and exhaust lines, with materials and sealing properties that are compatible with the gases being pumped. Refer to the connection accessories catalog available at the Pfeiffer-Vacuum website.
6. When assembling the pumping line, include accessories for isolating the pump from the pumping line and making maintenance easier to carry out (pump inlet and exhaust isolation valves, purge valves, etc.).
7. The O-rings located under the blanking plates are not compatible with all applications. **Product users or integrators are responsible for installing O-rings compatible with the application.**
8. Remove the blanking plates used to seal the inlet and exhaust ports.
9. Keep the blanking plates, screws and washers for reuse when transporting the pump.
10. Ensure that no screws, washers or other objects are dropped into the pump inlet.
11. Perform a leak test on the entire pumping line after installation.

5.3.1 Pump inlet connection

⚠ WARNING

Risk of cutting injuries due to contact with sharp edges via the high vacuum flange
 With the high vacuum flange open, access to sharp-edged parts is possible. A manual rotation of the rotor increases the danger situation. There is the risk of cuts, up to the separation of body parts (e.g. fingertips).

- ▶ Wait for a complete standstill, before starting any work on the product.
- ▶ Keep the splinter shield in the inlet flange, as it limits the risk of injury.
- ▶ Wear protective gloves in accordance with standard EN ISO 21420.

NOTICE

Failure to meet cleanliness requirements poses a risk of process contamination
 When parts in contact with high vacuum are dirty, pumping time increases and the process is contaminated.

- ▶ Use only dry parts and clean, grease-free, dust-free pipelines.
- ▶ Wear gloves when making connections, especially on the high vacuum side.

i Make sure that the parts or chambers connected to the inlet of our products can withstand a negative pressure of $1 \cdot 10^{-3}$ hPa absolute.

5.3.2 Pump exhaust connection

⚠ WARNING

Risk of poisoning when process gases are present in the atmosphere
 The manufacturer has no control over the types of gases used with the pump. Process gases are often toxic, flammable, corrosive, explosive and/or otherwise reactive. There is a risk of serious or fatal injury if these gases are allowed to escape freely into the atmosphere.

- ▶ Apply the relevant safety instructions in accordance with local regulation. This information is available from the operator's safety department.
- ▶ **Always connect the turbomolecular pump's exhaust to a backing pump compatible with process gases:** the backing pump's exhaust is connected to the installation's dangerous gas extraction system
- ▶ Regularly check that there are no leaks where the pump connects to the exhaust pipework.

- ▶ Connect the turbopump with an approved backing pump (see chapter "Technical data").
- ▶ Install an isolation valve (NC) between the turbomolecular pump and the backing pump.

5.4 Connecting the water circuit

To limit corrosion and clogging of the water circuit, we recommend using softened or non-aggressive water with the required characteristics (see chapter "Water characteristics"). If the solid pollution characteristics cannot be met, install a filter on the water inlet.

NOTICE

The water cooling circuit may be damaged if an unregulated mains supply is used

Using unregulated mains water can lead to water circuit clogging due to limescale deposition. This may necessitate complete cleaning and overhaul of the water cooling circuit.

Furthermore, the presence of micro-organisms such as algae and biological substances such as bacteria can lead to problems in the cooling circuit.

- ▶ Connect the water cooling circuit to a regulated water supply.
- ▶ Take appropriate measures to prevent the growth of such micro-organisms.



The effect of cooling continuity on the process

If an interruption to the water circuit represents a serious risk for the process, it is advisable to control the pump cooling with an external system capable of taking over if the water circuit fails.

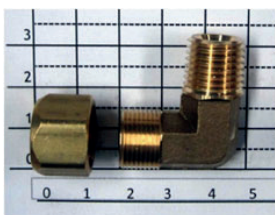
WARNING

Risk of injury in case of contact with pressurized water

The product uses pressurized water as a cooling fluid. Non-compliant installations or installations not done to professional standards may endanger the user's life.

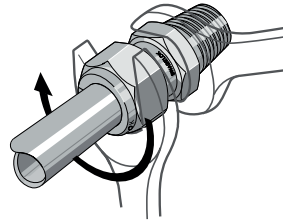
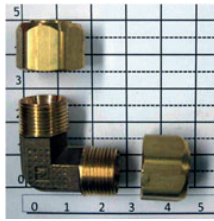
- ▶ Install a manual valve on the circuit at a distance of 3 m from the product, so that the water supply can be locked out.
- ▶ Observe the recommended pressure and pressure differences.
- ▶ Always lock out and disconnect the water circuit before working on the product.
- ▶ When carrying out maintenance, secure the installation properly by locating and locking out the pressurized water circuit to prevent it from being re-engaged by accident (LO/TO Lock Out/Tag Out procedure).
- ▶ Regularly check the condition of the pipework and supply circuit connections.

5.4.1 Procedure for assembling connectors



Threaded connections bonding and tightening procedure

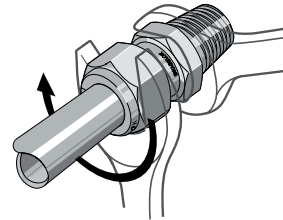
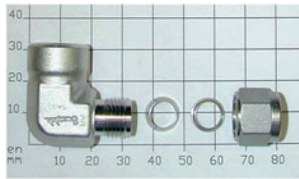
1. Use 1/4 NPT male connectors (to be supplied by the customer).
2. Bond the connections using oleo-waterproof glue or put PTFE sealing tape on the threads.
3. Tighten the connection **while keeping the baseplate on the pump side**.



Procedure for the assembly of single ferrule connectors

Connectors used to connect flexible pipes between the pump and electronic drive unit (for example).

1. Insert the pipe until it is affixed tightly to the connector.
2. Manually place the nut into contact.
3. Tighten the nut **1/2 turn using an open-ended spanner while holding the body of the connector still.**



Procedure for the assembly of twin ferrule connectors

Connectors used to connect rigid pipe (stainless steel, nickel plated copper, etc.).

1. Insert the pipe with the ferrules until it is affixed tightly to the connector.
2. Lock the fitting in position
3. Manually place the nut into contact.
4. Tighten the nut **3/4 turn using an open-ended spanner while holding the body of the connector still.**

5.4.2 Connecting the pump to the water circuit



Follow the connector installation procedure to avoid any risk of leaks.

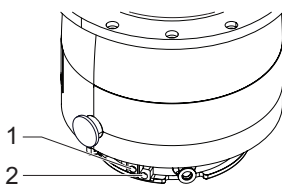


Fig. 7: Connection to the water-cooling circuit

- 1 Water out 2 Water in

1. Provide a water-cooling circuit and a tap to adjust the flow.
2. Connect the water inlet circuit to the **WATER IN** and the water outlet to the **WATER OUT** of the pump drainage circuit.
3. Check that there are no leaks in the water circuit or the water circuit connections.

5.5 Nitrogen circuit connection

Depending on the application, the inert gas purge can consist of:

- Injecting ambient air, or
- Injecting an inert gas into the pump.

In this manual, the inert gas will be called 'nitrogen', as it is the most commonly used gas. For more information on the type of purge gas, contact our service center.

⚠ DANGER

Danger of death by explosion when pumping gases containing pyrophoric/flammable materials

There is a risk of explosion if pyrophoric materials above the LEL are sent to the pump.

- ▶ Ensure there is a sufficient flow of nitrogen to lower the concentration below the LEL.
- ▶ Provide an interlock to ensure that gas flow towards the pump is stopped if the nitrogen flow is interrupted.

⚠ WARNING

Risk of injury in case of contact with pressurized nitrogen

The product uses pressurized nitrogen as a flushing gas. Non-compliant installations or installations not done to professional standards may endanger the user's life.

- ▶ Install a manual valve on the circuit at a distance of 3 m from the product, so that the nitrogen supply can be locked out.
- ▶ Observe the recommended supply pressure.
- ▶ Always lock out and disconnect the nitrogen circuit before working on the product.
- ▶ When carrying out maintenance, secure the installation properly by locating and locking out the pressurized nitrogen circuit to prevent it from being re-engaged by accident (LO/TO Lock Out/Tag Out procedure).
- ▶ Regularly check the condition of the pipework and supply circuit connections.

A filtered dry nitrogen supply with the given characteristics is required for optimum performance (see chapter "Nitrogen characteristics").

Inert gas purge

NOTICE

Inert gas purge function

When the inert gas purge is stopped, the pumped gases can pass from the fore vacuum side to the high vacuum side and damage the bearing housings.

- ▶ Maintain the inert gas purge flow as long as the rotor is running to prolong the flushing.
- ▶ The purge maximum pressure must not exceed $1 \cdot 10^3$ to $1.5 \cdot 10^3$ hPa (absolute).

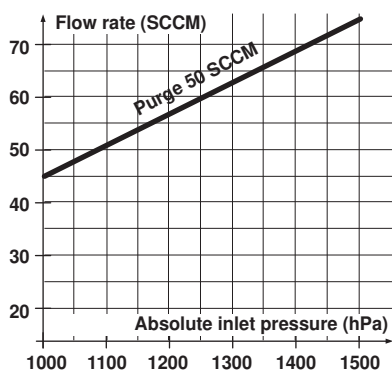
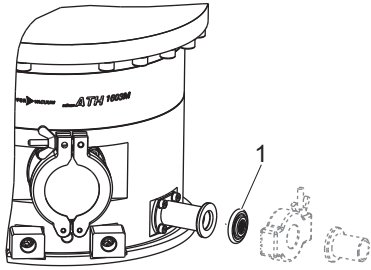


Fig. 8: Purge flow diagram



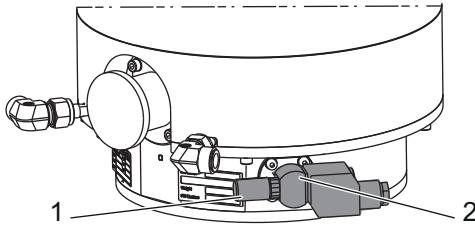
1 Flow reduction - 50 sccm

Purge device 50 sccm

The operation of this purge is continuous. The flow reducer guarantees a 50 sccm flow for a pressure of $1.1 \cdot 10^3$ hPa. When the inert gas line is equipped with a mass flowmeter, do not install the flow reduction device.

1. Directly connect the inert gas supply to the **PURGE** port equipped with the flow reduction device (see chapter "Accessories").
2. Adjust the inert gas pressure to obtain the desired flow (see Purge flow diagram).

Solenoid valve equipped with 50 sccm purge



1 Dust filter 2 Purge solenoid valve

Solenoid valve equipped with 50 sccm purge

This option is available depending on the pump configuration.

The solenoid valve installed on the pump is powered and controlled by an electronic control unit (supplied by the customer).

- ▶ Connect the solenoid valve to the **PURGE** port (affixed using 4 supplied screws).

Connection of the purge solenoid valve to an inert gas line

This solenoid valve can be connected to an inert gas line. The inert purge flow must be present when the pump is running.

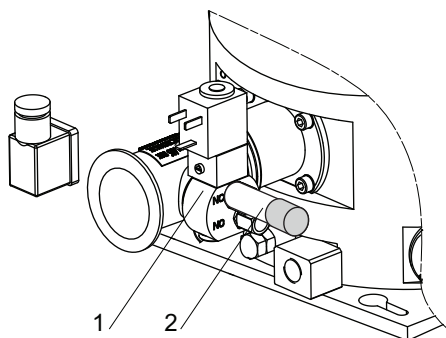
When the pump is stopped, the solenoid valve can be closed to perform a tightness test on the equipment.

1. Remove the dust filter from the solenoid valve.
2. Connect the inert gas line instead.
3. Bond the connection using oleo-waterproof glue, or put PTFE sealing tape on the threads.
4. Tighten the connection, applying a maximum tightening torque of 10 N·m.
5. Adjust the inert gas pressure to obtain the desired flow (see Purge flow diagram).

5.6 Connection of the air inlet solenoid valve

This option is available depending on the pump configuration.

The air inlet solenoid valve (flow $11 \cdot 10^3$ sccm), makes it possible to reduce the braking time required for the pump to get up to atmospheric pressure. When isolation valves are installed on the pump inlet and exhaust, the rotor slow-down efficiency is improved. This solenoid valve is supplied and controlled by the electronic drive unit.



1 Air inlet solenoid valve 2 Dust filter

1. Connect the solenoid valve to the **PUMP EXHAUST** port of the pump (use connecting accessories of product catalog).
2. Connect the solenoid valve to the connector of the electronic drive unit (see electronic drive unit operating instructions).
3. Send a control order via the control panel (remote control, the serial link or the fieldbus connection).

Connection of the air inlet solenoid valve to an inert gas line

To connect the solenoid valve to an inert gas line, the nitrogen supply must be clean and filtered and must have the characteristics defined (see chapter "Nitrogen characteristics").

1. Remove the dust filter from the solenoid valve.
2. Connect the inert gas line instead.
3. Bond the connection using oleo-repellent glue or put PTFE sealing tape on the threads.
4. Tighten the connection, applying a maximum tightening torque of 10 N·m.

5.7 Check that the installation is leak tight

When the product leaves the factory, product leak tightness under normal operating conditions is guaranteed. The operator must maintain this level of leak tightness, especially when pumping dangerous gases. For more information concerning leak tests, please contact our service center.

1. Perform a leak test on the entire pumping line after installation.
2. Carry out regular checks to ensure that there are no traces of the pumped gases in the surrounding environment and that no air is entering the pumping line during operation.

5.8 Electrical connection

⚠ WARNING

Risk of electric shock due to non-compliant electrical installations

This product uses mains voltage for its power supply. Non-compliant electrical installations or installations not done to professional standards may endanger the user's life.

- ▶ Only qualified technicians trained in the relevant electrical safety and EMC regulations are authorized to work on the electrical installation.
- ▶ This product must not be modified or converted arbitrarily.
- ▶ Check that the product is properly connected to the equipment's or pumping installation's emergency stop circuit.

⚠ WARNING

Danger of electrocution by contact during maintenance or overhaul

There is an electric shock hazard in case of contact with a product powered on and not electrically isolated.

- ▶ Before carrying out any work, set the main switch to **O**.
- ▶ Disconnect the power cable from the mains.
- ▶ Secure the installation correctly by tagging and locking (LO/TO) the system to prevent unintentional re-engagement.

⚠ WARNING

Risk of electric shock in case of contact with the mains connector at power-off

Certain components use capacitors that are charged up to over 60 VDC and that hold their electrical charge **at power-off**: residual voltages due to filter capacitance can cause electric shock, up to and including mains voltage levels.

- ▶ Wait 5 minutes after power-off before commencing work on the product.

NOTICE

Risk of electromagnetic disturbance

Voltages and currents can induce a multitude of electromagnetic fields and interference signals. Installations that do not comply with the EMC regulations can interfere with other equipment and the environment in general.

- ▶ Use shielded cables and connections for the interfaces in interference-prone environments.

i The pump is a class A product. In a domestic environment, this product can cause radio interference. In this case, users must take appropriate measures.

Electrical safety

The pump motor is protected against overload by the current limitation of the variable speed drive in electronic drive unit (in case of overload, the speed decreases automatically).

When there is a hazard due to accidental contact with liquids, gases or solids, you must install a hard-wired emergency stop circuit to cut the power supply.

- ▶ **Never override these interlocks during installation, use or maintenance.**

During the pump stop following a fault, the variable speed drive is switched off and the pump is put in a safe condition. To restart the pump, you must:

- ▶ **Wait until all moving parts have stopped** before switching the power off.
 - Mains switch of the electronic drive unit to **O**.
- ▶ Wait approximately 15 seconds.
- ▶ Correct the cause of the fault.
- ▶ Restore power supply.
 - Mains switch of the electronic drive unit to **I**.

5.8.1 Customer electrical installation protection

Circuit breaker protection

The power circuit used to supply the pump must be fitted with a breaker complying with the IEC 60947-2 curve D standard whose short circuit cut-off capacity is at least 10 kA. This protection device should be in close proximity to the pump (no further than 7 m away) and in line of sight of the product.

The customer must provide a correctly-rated main circuit breaker: see chapter “Electrical characteristics”.

Differential circuit breaker

In the event of an insulation defect, you must install a differential circuit breaker to protect personnel (see chapter “Electrical characteristics”).

The pump is Class 1 equipment and therefore must be grounded. The user must make sure the installation has an earth wire properly connected to the ground.

Grounding

When necessary, the installer must provide dual protection in addition to the existing one. It consists of an uninsulated braid or a separate green/yellow conductor with a minimum section 3 mm² (9AWG). The impedance between the pump body and the ground connection point must be < 0.1 Ohm at 25 A.

- ▶ Use an M4 x 8 screw and a locking washer fitted to the hole on the pump (mark \perp) to secure the conductor to the pump and to the installation's ground connection point.



Absence of emergency stop

The vacuum pump is not equipped with an emergency stop device (EMS) or a lock-out device. The vacuum pump is designed to be integrated into equipment fitted with an emergency stop device.

- When activated, the EMS of the equipment must switch off the vacuum pump.



Operation in local mode

There is no device to warn that the pump is operating in local mode.

- Provide a means to warn about local mode operation when the pump is not integrated neither controlled by the equipment.

6 Operation

6.1 Preliminary precautions for use

WARNING

Risk of poisoning when process gases are present in the atmosphere

The manufacturer has no control over the types of gases used with the pump. Process gases are often toxic, flammable, corrosive, explosive and/or otherwise reactive. There is a risk of serious or fatal injury if these gases are allowed to escape freely into the atmosphere.

- ▶ Apply the relevant safety instructions in accordance with local regulation. This information is available from the operator's safety department.
- ▶ **Always connect the turbomolecular pump's exhaust to a backing pump compatible with process gases:** the backing pump's exhaust is connected to the installation's dangerous gas extraction system
- ▶ Regularly check that there are no leaks where the pump connects to the exhaust pipework.

WARNING

Risk of electric shock in the event of electrical disconnection while the pump is running

The turbomolecular pump and its electronic drive unit cannot be disconnected from the electrical network before the rotor completely stops rotating: the pump/electronic drive unit must be isolated from the electrical network to prevent electric shock!

1. Stop the pump from rotating by sending a **'Stop'** order on the control interface.
2. Wait for the rotor to completely stop rotating (several minutes).
3. Switch off customer power supply from the equipment.
4. Unplug the mains cable.

WARNING

Risk of cutting injuries due to contact with sharp edges via the high vacuum flange

With the high vacuum flange open, access to sharp-edged parts is possible. A manual rotation of the rotor increases the danger situation. There is the risk of cuts, up to the separation of body parts (e.g. fingertips).

- ▶ Wait for a complete standstill, before starting any work on the product.
- ▶ Keep the splinter shield in the inlet flange, as it limits the risk of injury.
- ▶ Wear protective gloves in accordance with standard EN ISO 21420.

Pumping pyrophoric or flammable gases may be hazardous. The user and/or integrator must comply with the safety instructions (see chapter "Safety instructions relating to flammable/pyrophoric materials"). Every time the pump is commissioned:

1. Check that the pump has been correctly secured in accordance with safety instructions (see chapter "Equipment installation conditions").
2. Check that the pump inlet is properly connected to the pumping line.
3. Start the water and nitrogen circuits.
4. Check that the exhaust pipework is not clogged and that all the extraction system valves are open.
5. Check that the valves are connected and supplied, including the purge valve (where applicable).



The turbomolecular pump operates with an OBC or Magpower electronic drive unit. Please refer to the associated electronic drive unit instructions.

6.2 Starting the pump

6.2.1 Powering on

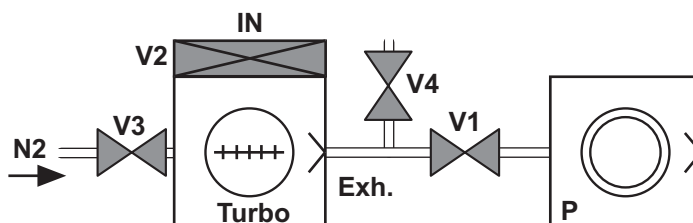
- ▶ Set the mains switch of the electronic drive unit to I: the electronic drive unit boots up.

6.2.2 Pumping start-up

The following steps describe the use of the pump regardless of the control interface:

- Use via **HHR**.
- Use via **REMOTE** control.
- Use via **RS-232/RS-485** Serial link.
- Use via **FIELDBUS**.

Pumping installation diagram



V1 ¹⁾	Fore-vacuum isolation valve	N2	Inert gas purge inlet
V2 ¹⁾	High vacuum isolation valve	Turbo	Magnetically levitated turbomolecular pump
V3 ²⁾	Purge solenoid valve (option)	P ¹⁾	Backing pump
V4 ²⁾	Air inlet solenoid valve (accessory)		

1) The supply, power supply and control of these components are the customer's responsibility.

2) These solenoid valves are controlled via the electronic drive unit.

Pumping start-up procedure

Initial conditions:

Valves V1, V2, V3, V4 are connected and controlled by the equipment or electronic drive unit.

The vacuum chamber and the pumping lines are at atmospheric pressure, the backing pump is stopped and the valves are closed.

1. Start up the water-cooling circuit.
2. Send the order to **'Start'** the pump via the control interface
 - The backing pump starts up and valves V1 and V2 open.
 - The turbomolecular pump starts to **reach the selected speed**.
3. Depending on the application, open the V3 purge solenoid valve (if installed and wired).

The pumping operation is performed until the operating pressure for the customer's application is reached.

6.2.3 Restarting the pump after an emergency equipment stop

The equipment emergency stop manages the pump stop. To restart the pump after an emergency stop, it is necessary to:

1. Make sure the pump has stopped (all LED are off).
2. Wait until pump rotor has stopped.
3. Correct the problem.
4. Unlock the emergency stop button on the equipment,
5. Start the pump by sending a **'Start'** pump order via the control panel: the pump starts at the selected speed.

6.3 Shutting down the pump

6.3.1 Pumping shutdown

NOTICE

Risk of damaging the pump by generating an electric arc

The pump and its electronic drive unit must not be disconnected from the electrical network before the rotor completely stops rotating and the unit is isolated from the electrical network: an electric arc is created when the circuit is interrupted, which damages internal components.

1. Stop the pump from rotating by sending a **'Stop'** order on the control interface.
2. Wait for the rotor to completely stop rotating (several minutes).
3. Switch off customer power supply from the equipment.
4. Unplug the mains cable.

Pumping interruption procedure

Initial conditions: valves V1, V2, V3, V4 are connected and controlled by the equipment or electronic drive unit, the vacuum chamber and the pumping lines are under vacuum, the backing pump is on, and the V3 purge valve is open.

1. Close the V2 valve to isolate the pump from the vacuum chamber.
2. Send a pump **'Stop'** order via the HHR, Remote, serial link, or fieldbus control panel:
 - The pump slows down.
3. Activate the V4 air inlet solenoid valve (accessory).
 - The air inlet solenoid opens when the speed is less than 10000 min⁻¹.
4. Close the V1 valve and the backing pump stops.
5. Stop the water-cooling circuit **when the pump is stopped** (the rotor has stopped rotating).
6. Stop the inert gas purge flow.

NOTICE

Inert gas purge function

When the inert gas purge is stopped, the pumped gases can pass from the fore vacuum side to the high vacuum side and damage the bearing housings.

- ▶ Maintain the inert gas purge flow as long as the rotor is running to prolong the flushing.
- ▶ The purge maximum pressure must not exceed $1 \cdot 10^3$ to $1.5 \cdot 10^3$ hPa (absolute).

NOTICE

Air inlet solenoid valve function

The air inlet solenoid valve reduces the braking time required for the pump to get up to the atmospheric pressure. When isolation valves are installed on the pump inlet and exhaust, the rotor slow-down efficiency is improved.

- ▶ If the pump has been stopped by a sudden air inlet, **limit the number of restarts to 2 per hour.**
- ▶ if the pump has been stopped without air inlet, the number of restarts is not limited.
- ▶ Please contact us for advice on the air inlet solenoid valve.

Pump stop due to power failure



Stopping the pump by disconnecting the mains power supply is not a normal way to stop the pump:

- Always send a **'Stop'** order via the control panel and wait for the pump to stop rotating before starting work on the product.

When a power failure occurs, the rotor remains suspended by the energy emitted by the motor's counter-electromotive force, until the rotor rotation speed is low enough that it can rest on the landing bearings without being damaged.

If the power is restored before the minimum speed is reached, the pump recovers its initial speed without any disturbance. The landing bearing counter does not decrease.

Otherwise, if the minimum speed is reached before the power supply has been restored:

- the pump lands on its landing bearings,
- the electronic drive unit is powered off; no indicator light is on,
- the landing bearings' counter decreases.

Start up the pump according to the standard start-up procedure when the mains supply has been restored.

6.3.2 Powering off

1. Switch off the pump by setting the mains switch of the drive unit to **O**:
 - All LED on the electronic drive unit are off.
 - Wait for the rotor **to completely stop rotating**.
2. Disconnect the supply cable from the electronic drive unit.

6.3.3 Prolonged stoppage

If the pump has to be stopped for a prolonged period, follow the shutting down procedure (see chapter "Shutting down for longer periods").

6.4 Operation monitoring

Fault messages are listed in the electronic drive unit instructions associated with the "Malfunctions" chapter.

7 Maintenance

7.1 Maintenance safety instructions

DANGER

Risk to health posed by residual traces of process gases inside the pump

Process gases are toxic and hazardous to health. They can cause poisoning and be fatal. Before disconnecting the pump, any remaining traces of process gases must be eliminated.

- ▶ **The equipment (pumping installation) must be purged with a stream of nitrogen for 30 minutes** at the same pressure and flow as that used for the process itself.

DANGER

Risk of poisoning in case of contact with toxic substances and by-products generated by the process

The vacuum pump, pumping line components and operating fluids **will potentially be contaminated** with toxic, corrosive, reactive and/or radioactive materials related to the process. Any contact with the contaminated parts or by-products generated by the process may be injurious to health and could cause poisoning.

- ▶ Appropriate protective equipments must be worn when disconnecting the pump for maintenance, filling it with operating fluid, or draining it.
- ▶ Ventilate the area thoroughly or carry out the maintenance under an extraction hood.
- ▶ Do not eliminate the by-products/residue via as common waste; have them destroyed by a qualified company where necessary.
- ▶ **Close off all the ports with airtight blanking plates** (the product comes with blanking plates that are also available for sale as accessories).

WARNING

Risk of cutting injuries due to contact with sharp edges via the high vacuum flange

With the high vacuum flange open, access to sharp-edged parts is possible. A manual rotation of the rotor increases the danger situation. There is the risk of cuts, up to the separation of body parts (e.g. fingertips).

- ▶ Wait for a complete standstill, before starting any work on the product.
- ▶ Keep the splinter shield in the inlet flange, as it limits the risk of injury.
- ▶ Wear protective gloves in accordance with standard EN ISO 21420.

WARNING

Danger of electrocution by contact during maintenance or overhaul

There is an electric shock hazard in case of contact with a product powered on and not electrically isolated.

- ▶ Before carrying out any work, set the main switch to **O**.
- ▶ Disconnect the power cable from the mains.
- ▶ Secure the installation correctly by tagging and locking (LO/TO) the system to prevent unintentional re-engagement.

WARNING

Risk of burns in case of contact with hot surfaces

Component temperature remains high, even after the pump has stopped. There is a risk of burns through contact with hot surfaces, especially at the pump exhaust.

- ▶ Wait for the product to fully cool down before working on it.
- ▶ Protective gloves must be worn in accordance with standard EN ISO 21420.

⚠ WARNING**Poisoning risk in case of process gas leakage**

When connecting/disconnecting components to/from the pumping line (pump, pipework, valves, etc.) for maintenance, the leak tightness of the installation is broken, potentially causing hazardous process gas leakage.

- ▶ Always protect the inlet and exhaust surfaces during dismantling.
- ▶ Perform a leak test on the pumping line after reassembly.

NOTICE**Risk of damaging the pump by generating an electric arc**

The pump and its electronic drive unit must not be disconnected from the electrical network before the rotor completely stops rotating and the unit is isolated from the electrical network: an electric arc is created when the circuit is interrupted, which damages internal components.

1. Stop the pump from rotating by sending a '**Stop**' order on the control interface.
2. Wait for the rotor to completely stop rotating (several minutes).
3. Switch off customer power supply from the equipment.
4. Unplug the mains cable.

General maintenance recommendations

- Ensure that the maintenance technician is trained in the safety regulations that cover the pumped gases.
- Disconnect the mains cable from all sources of power before working on the product.
- Wait 5 minutes after powering off before working on the electrical components.
- Wait for the product to cool down completely before working on it.
- Pressurized circuits – nitrogen and water – pose potential energy risks: always lock out these circuits using the LO/TO (Lock Out/Tag Out) procedure before working on the product.
- Route and secure cables, hoses and pipework to guard against falls.
- Collect the residues from the processes and call in a competent organization to dispose of them.
- Always protect the inlet and exhaust flange surfaces.

7.2 Maintenance frequency

By design, the pump does not include parts liable to wear and does not need preventive maintenance. However, **the landing bearings** used to protect the pump against accidental air in-rushes, accidental shocks or power failure have to be changed when indicated by the electronic drive unit: the percentage of landing time to be deducted depends on the number and type of incidents.

The warning threshold informing the operator of the need for landing bearing maintenance is configured via the control mode which controls the pump (HHR, serial link or fieldbus). A counter displays the bearing wear level when landing bearing maintenance should be performed.

Landing bearings

Landing bearings are designed to withstand many accidental landings of the rotor at full speed. The wear of landing bearings is monitored by the electronic drive unit, based on the rotation speed and landing duration. The initial percentage is set at 100%. When this value reaches the warning threshold, a warning is triggered: the landing bearings must be replaced. If other landings occur, the counter continues to decrease to 0%. **These landing bearings must be replaced by a Pfeiffer Vacuum service center.**

Rotor of the pump

The life of the pump rotor changes with the operating conditions and applications. To ensure the best performance, **after 5 years of operation, check the condition of the rotor.** Consult us.

**How to contact us**

Product overhauls must be carried out by personnel with manufacturer training. Contact our nearest service center at the following e-mail address: service.fr@pfeiffer-vacuum.com.

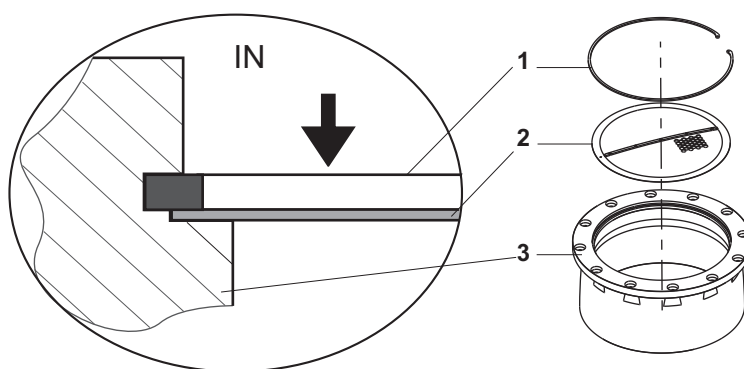
7.3 On-site maintenance

The pump does not require any maintenance on the customer's premises other than the day-to-day servicing described in this manual. All other maintenance operations must be carried out by our service center.

- ▶ Clean the outer surfaces of the product using a clean, lint-free cloth and a product that will not damage the screen-printed surfaces or adhesive labels.
- ▶ Check the exhaust line for clogging.
- ▶ Check that the splinter shield is not clogged; clean it or replace it.
- ▶ Replace the dust filter on the purge solenoid valve if it is obstructed (if valve present).
- ▶ Replace the solenoid valve coils if they are defective.
- ▶ Replace the water solenoid valve if it is defective (if valve present).

Splinter shield replacement

Pump is delivered with splinter shield installed in the pump inlet housing. This splinter shield protects the pump against solid particles coming from vacuum chamber. When it is polluted or damaged, it must be replaced.



- 1 Ring 3 Inlet housing
2 Splinter shield

For reassembly, respect the following instructions:

1. Install the splinter shield in the inlet housing groove, **bent side facing the vacuum chamber**.
2. Position the ring and **manually press it down on the groove bottom all around its circumference**.

7.4 Exchange procedure by a replacement product

To proceed with a standard exchange, key steps must be followed in sequential order:

1. Disconnecting the pump from the installation.
2. Draining the water circuit.
3. Preparing the pump for shipping.
4. Completing the declaration of contamination.
5. Handling the new pump (see chapter "Handling the pump").
6. Installing a new pump (see chapter "Installation").

Familiarize yourself with the service request procedure and fill in the declaration of contamination when returning products to our service centers ([see chapter "Service solutions by Pfeiffer Vacuum", page 42](#)).

7.4.1 Disconnecting the pump from the installation



Reminder of the risks and safety measures

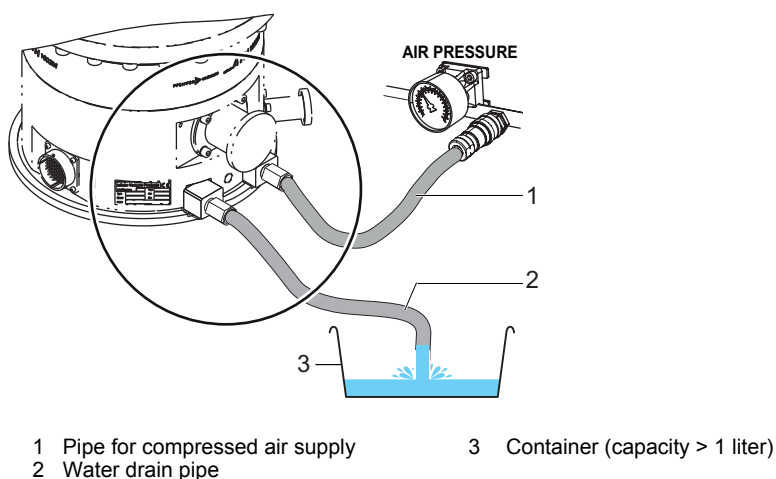
- Follow the maintenance safety instructions.
- Apply the specific safety instructions in accordance with local laws; this information is available from the customer's health and safety department.

Disconnection procedure

1. Stop the pump by sending a **Stop** order (see chapter "Pumping shutdown").
2. Switch off the pump by setting the mains switch of the electronic drive unit to **O**.
3. Switch off the circuit breaker of the customer's installation.
4. Disconnect the power cable at the electrical connector.
5. Disconnect all the connectors on the control interface.
6. Disconnect the nitrogen supply.
7. Disconnect the **WATER IN** connector followed by the **WATER OUT** connector.
8. Disconnect the pump from the high vacuum flange and blank off the inlet port with the airtight connection accessories (available as accessories).
9. Disconnect the pump from the exhaust and blank off the exhaust port with the airtight connection accessories (available as accessories).
10. Install the handling devices (see chapter "Handling the pump").
11. Disconnect the pump from the installation.

7.4.2 Draining the water circuit

Any water that has accumulated must be drained to prevent the pipework from freezing during transport. To do this, users will need to provide flexible tubes and connections as well as a compressed air circuit (pressure 2 to 5 · 10³ hPa).



Water circuit draining procedure

1. Place a container below the pump water connectors.
2. Disconnect the water circuit from the **WATER IN** and **WATER OUT** connections.
3. Connect the drain pipe to a pump water connector.
4. Connect the other connector to a compressed air circuit.
5. Inject compressed air into the pump until the water has been completely evacuated.

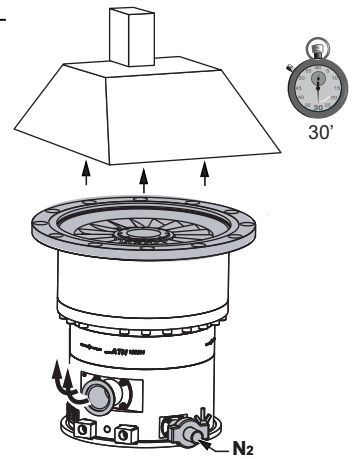
7.4.3 Preparing the pump for shipping

Pumps due to be shipped must first be roughly decontaminated then pressurized with nitrogen.

To decontaminate and pressurize the pump, you must have a nitrogen supply with the required characteristics (see chapter "Nitrogen characteristics"). Similarly, you should have connection accessories so that the pump can be tightly sealed (see accessories).

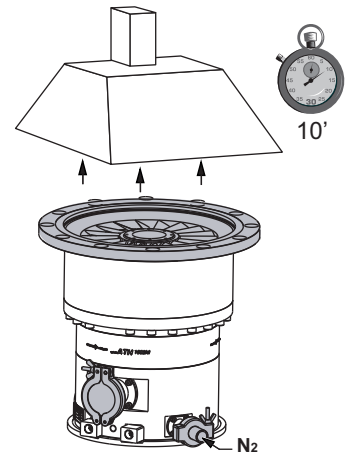
Complete flushing

1. Install the blanking plate equipped with the injector on the connector **Purge**.
2. Connect the nitrogen to the gas connector provided for this purpose.
3. Flush with nitrogen by injecting a relative pressure of 120 to 150 hPa for 30 minutes.
4. Stop the nitrogen flow.



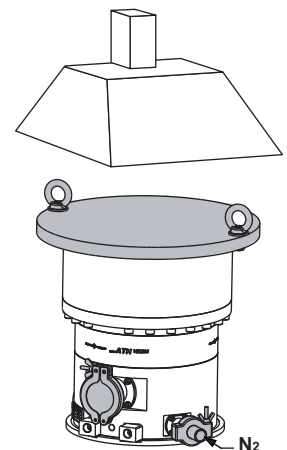
Purge/inlet flushing

1. Install the blanking plate on the exhaust port **Pump exhaust** and seal.
2. Flush with nitrogen by injecting a relative pressure of 120 to 150 hPa for 10 minutes.
3. Stop the nitrogen flow.



Pressurizing the pump

1. Seal the pump inlet with airtight connection accessories.
2. Pressurize the pump with nitrogen to a relative pressure of 120 hPa.
3. Stop the nitrogen flow.



Labeling the pump

1. Affix this label to the product to warn users that the pump has been in contact with unsafe products.
2. Fill in the declaration of contamination and attach it to the product (see chapter "Service solutions").

	<p>WARNING</p> <p>FLAMMABLE, CORROSIVE AND TOXIC CHEMICALS LOCATED WITHIN THE ENCLOSURE</p> <p>Exposure may result in severe injury or death. Preventive maintenance must be done by trained personnel only.</p>
--	--

8 Decommissioning

8.1 Shutting down for longer periods

NOTICE

Process gas accumulation in stopped equipment

All process pumps are designed for continuous operation in process gas pumping applications and should not be stopped. Pfeiffer Vacuum declines any liability for process pumps that have been stopped for a prolonged period of time leading to by-product condensation, powder build-up or corrosion inside the pump, nor does its warranty cover such items.

- ▶ **Carry out a product overhaul before putting it back into service. Contact Pfeiffer Vacuum.**

After use in clean applications

1. Continue nitrogen flow from the process tool for **30 minutes**. Nitrogen pressure and flow rate should be identical to the programmed values during process.
2. Drain the water circuit.
3. Disconnect the pump from the installation.
4. Seal the pump inlet, exhaust and purge ports with included accessories.
5. Store the pump in a clean and dry area, for a maximum period of **6 months** in accordance with storage temperatures.

After use in aggressive applications

- ▶ **Never store a pump which has been used in aggressive applications!!**

Proceed with a standard exchange (see chapter "Exchange procedure for replacement products") and return the product to the service center ([see chapter "Service solutions by Pfeiffer Vacuum", page 42](#)).

8.2 Recommissioning

To restart the pump after prolonged storage, refer to the installation instructions ([see chapter "Installation", page 19](#)).

8.3 Disposal

In accordance with directives on the treatment of waste electrical and electronic equipment (WEEE), and concerning the restriction of hazardous substances (RoHS), end-of-life products can be returned to the manufacturer for decontamination and recycling.

The manufacturer shall only be required to take back equipment that is complete and unmodified, using Pfeiffer Vacuum SAS original spare parts, sold by Pfeiffer Vacuum and including all assemblies and sub-assemblies.

This obligation does not cover the shipping cost to a reclamation facility or services provided, for which the customer will be invoiced.

Familiarize yourself with the service request procedure and fill in the declaration of contamination when returning products to our service centers ([see chapter "Service solutions by Pfeiffer Vacuum", page 42](#)).



Environmental protection

The product and its components **must be disposed of in accordance with the applicable regulations relating to environmental protection and human health**, with a view to reducing natural resource wastage and preventing pollution.

Our products contain various materials which can be recycled: steel, stainless steel, brass, aluminum, nickel, copper, fluoroelastomers, PTFE, FEP and electronic boards. Take special precautions for:

- fluoroelastomers which may break down if they are exposed to high temperatures,
- components in contact with products resulting from processes which may have been contaminated.

9 Service solutions by Pfeiffer Vacuum

We offer first-class service

High vacuum component service life, in combination with low downtime, are clear expectations that you place on us. We meet your needs with efficient products and outstanding service.

We are always focused on perfecting our core competence – servicing of vacuum components. Once you have purchased a product from Pfeiffer Vacuum, our service is far from over. This is often exactly where service begins. Obviously, in proven Pfeiffer Vacuum quality.

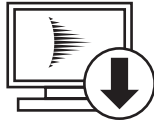
Our professional sales and service employees are available to provide you with reliable assistance, worldwide. Pfeiffer Vacuum offers an entire range of services, from [original replacement parts](#) to [service contracts](#).

Make use of Pfeiffer Vacuum service

Whether preventive, on-site service carried out by our field service, fast replacement with mint condition replacement products, or repair carried out in a [Service Center](#) near you – you have various options for maintaining your equipment availability. You can find more detailed information and addresses on our homepage, in the [Pfeiffer Vacuum Service](#) section.

You can obtain advice on the optimal solution for you, from your [Pfeiffer Vacuum representative](#).

For fast and smooth service process handling, we recommend the following:



1. Download the up-to-date form templates.
 - [Explanations of service requests](#)
 - [Service requests](#)
 - [Contamination declaration](#)



- a) Remove and store all accessories (all external parts, such as valves, protective screens, etc.).
 - b) If necessary, drain operating fluid/lubricant.
 - c) If necessary, drain coolant.
2. Complete the service request and contamination declaration.



3. Send the forms by email, fax, or post to your local [Service Center](#).

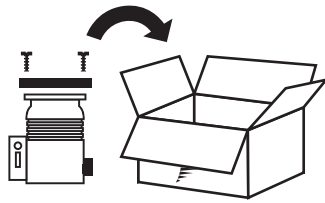


4. You will receive an acknowledgment from Pfeiffer Vacuum.

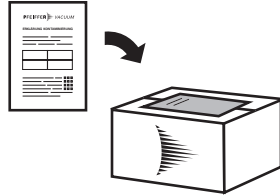
PFEIFFER VACUUM

Submission of contaminated products

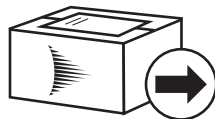
No microbiological, explosive, or radiologically contaminated products will be accepted. Where products are contaminated, or the contamination declaration is missing, Pfeiffer Vacuum will contact you before starting service work. Depending on the product and degree of pollution, **additional decontamination costs** may be incurred.



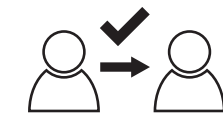
5. Prepare the product for transport in accordance with the provisions in the contamination declaration.
 - a) Neutralize the product with nitrogen or dry air.
 - b) Seal all openings with blind flanges, so that they are airtight.
 - c) Shrink-wrap the product in suitable protective foil.
 - d) Package the product in suitable, stable transport containers only.
 - e) Maintain applicable transport conditions.



6. Attach the contamination declaration to the **outside** of the packaging.



7. Now send your product to your local Service Center.



8. You will receive an acknowledgment/quotation, from Pfeiffer Vacuum.

PFEIFFER VACUUM

Our sales and delivery conditions and repair and maintenance conditions for vacuum devices and components apply to all service orders.

10 Accessories

Accessory	Function	Description	Dimension	P/N
Isolation valve	This isolation valve is used to maintain vacuum in the pump by isolating it in the pumping line.	Manual valve	see manufacturer's catalog	
Splinter shield	This splinter shield protects the pump from solid particles. It is installed in the pump inlet housing.	Stainless steel bent screen + bored clip (mesh size 8 mm)	DN 250 ISO-F	121472
		Stainless steel bent screen + bored clip (mesh size 8 mm)	DN 320 ISO-F	112131
Set of screws for pump installation	This set includes connecting accessories to fasten the pump to the equipment via the inlet pump housing.	Set of 12 CHc M10 x 35 screws	DN 250 ISO-F	110676S
		Set of 24 CHc M12 x 45 screws	DN 320 ISO-F	113189
Set for pump pressurization	This set includes: <ul style="list-style-type: none"> the set for purge pressurization the closing set for inlet port the closing accessories for pump exhaust port 		DN 250 ISO-F	108498
Set purge pressurization	For purge port, blanking plate equipped with 1/8" BSPT gas connection and Injector 4x6 mm.		DN 16-ISO-KF	A458805
		Injector 4x6 mm	DN 16-ISO-KF	106859
		Blanking plate	DN 16-ISO-KF 1/8 BSPT	A458808
		Nipple MF	1/8" BSPT	082981
Closing set for inlet port	This set includes: <ul style="list-style-type: none"> the transport blanking plate, an O-ring, screws to fix the blanking plate to the pump inlet flange 2 lifting rings 		DN 250 ISO-F	108497
			DN 320 ISO-F	114503
Closing accessories	For pump exhaust port	Centering ring with O-ring	DN 40 ISO-KF	122ZRG040
		Quick-connect clamp	DN 40 ISO-KF	120BSR040
		Blanking plate	DN 40 ISO-KF	120FBL040
	For the purge	Centering ring with O-ring	DN 16 ISO-KF	122ZRG016
		Quick-connect clamp	DN 16 ISO-KF	120BSR016
		Connection	1/4 VCR 1/8 NPT	108500
Purge flow reduction device	This device is used to reduce the purge gas flow rate to 50 sccm in some applications.	Reductor	DN16 ISO-KF	066752S
Air inlet solenoid valve	Air inlet solenoid valve is used to slow down the pump. It only opens for a rotation speed < at 10000 min ⁻¹ .	24 V DC (NC)	11 slm	114280
Purge solenoid valve	Purge solenoid valve is used to protect the spindle from backscattering of the customer's process gases.	24 V DC (NC)	50 sccm	111921S
Water valve	Water valve is used to connect the water inlet circuit to the cooling circuit.	24 V DC (NF)	1/8 NPT	108668
Cable	Air inlet valve cable and purge valve cable for pump controlled by electronic drive unit (type Magpower) .		1 m	A462403-010
			3,5 m	A462403-035
			5 m	A462403-050
			10 m	A462403-100
			20 m	A462403-200

For blanking plates, claw clamps and quick connect clamps, please refer to the connecting accessories catalog on the pfeiffer-vacuum.com site. Select material properties compatible with the application.

11 Spare parts

Description	P/N	Comments
24 V DC coil	038066	for purge valve and air inlet valve
24 V DC coil	108667	on water valve
Dust filter	106229	for purge valve and air inlet valve

12 Technical data and dimensions

12.1 General

Basic principles for the Technical Data of Pfeiffer Vacuum turbomolecular pumps:

- ▶ Recommendations from PNEUROP committee PN5.
- ▶ ISO 21360; 2007: "Vacuum technology - Standard methods for measuring vacuum-pump performance - General description"
- ▶ Ultimate pressure: using a test dome and after 48 hours of baking out.
- ▶ Gas throughput: with water cooling.
- ▶ Cooling water consumption: at max gas throughput, water temperature 20 °C.
- ▶ Sound pressure level: distance of 1 m to the pump.
- ▶ Technical data measured without splinter shield at pump inlet.

	mbar	bar	Pa	hPa	kPa	Torr mm Hg
mbar	1	$1 \cdot 10^{-3}$	100	1	0.1	0.75
bar	1000	1	$1 \cdot 10^5$	1000	100	750
Pa	0.01	$1 \cdot 10^{-5}$	1	0.01	$1 \cdot 10^{-3}$	$7.5 \cdot 10^{-3}$
hPa	1	$1 \cdot 10^{-3}$	100	1	0.1	0.75
kPa	10	0.01	1000	10	1	7.5
Torr mm Hg	1.33	$1.33 \cdot 10^{-3}$	133.32	1.33	0.133	1

1 Pa = 1 N/m²

Tbl. 3: Conversion table: Pressure units

	mbar l/s	Pa m ³ /s	sccm	Torr l/s	atm cm ³ /s
mbar l/s	1	0.1	59.2	0.75	0.987
Pa m ³ /s	10	1	592	7.5	9.87
sccm	$1.69 \cdot 10^{-2}$	$1.69 \cdot 10^{-3}$	1	$1.27 \cdot 10^{-2}$	$1.67 \cdot 10^{-2}$
Torr l/s	1.33	0.133	78.9	1	1.32
atm cm ³ /s	1.01	0.101	59.8	0.76	1

Tbl. 4: Conversion table: Units for gas throughput

12.2 Technical characteristics

Technical data		ATH 2800 M	ATH 2800 MT	ATH 3200 M	ATH 3200 MT
Inlet flange		DN 250 ISO-F		DN 320 ISO-F	
Exhaust flange ¹⁾		DN 40 ISO-KF / DN 50 ISO-KF (option)			
Purge flange ¹⁾		DN 16 ISO-KF			
Pumping speed	N2	2150 l/s	2050 l/s	2700 l/s	2600 l/s
	Ar	2100 l/s	2000 l/s	2500 l/s	2400 l/s
	He	2200 l/s	2150 l/s	2400 l/s	2350 l/s
	H2	1750 l/s	1700 l/s	1800 l/s	1750 l/s
Compression ratio	N2	$5 \cdot 10^7$	$5 \cdot 10^7$	$> 1 \cdot 10^8$	$> 1 \cdot 10^8$
	Ar	$1.7 \cdot 10^8$	$1.7 \cdot 10^8$	$> 1 \cdot 10^8$	$> 1 \cdot 10^8$
	He	$4 \cdot 10^3$	$4 \cdot 10^3$	$> 3 \cdot 10^4$	$> 3 \cdot 10^4$
	H2	$5 \cdot 10^2$	$5 \cdot 10^2$	$> 1 \cdot 10^3$	$> 1 \cdot 10^3$

Technical data		ATH 2800 M	ATH 2800 MT	ATH 3200 M	ATH 3200 MT	
Maximum flow with water flow 60 l/h ²⁾	N2	5000 sccm	1000 sccm	5000 sccm	1000 sccm	
	Ar	2200 sccm	700 sccm	2200 sccm	700 sccm	
	He	> 5000 sccm	> 1000 sccm	> 5000 sccm	> 1000 sccm	
	H2	> 5000 sccm	> 1000 sccm	> 5000 sccm	> 1000 sccm	
Maximum pressure at inlet ²⁾	N2	2.1 hPa	2.1 hPa	2.1 hPa	2.1 hPa	
	Ar	2.8 hPa	2.8 hPa	2.8 hPa	2.8 hPa	
Maximum pressure at exhaust ³⁾	N2	2.1 hPa	2.1 hPa	2.1 hPa	2.1 hPa	
	Ar	2.8 hPa	2.8 hPa	2.8 hPa	2.8 hPa	
	He	1.3 hPa	1.3 hPa	1.3 hPa	1.3 hPa	
	H2	0.4 hPa	0.4 hPa	0.4 hPa	0.4 hPa	
Ultimate pressure ⁴⁾	< 6 · 10 ⁻⁹ hPa		-	< 6 · 10 ⁻⁹ hPa		
Nominal rotation speed	25000 min ⁻¹ 417 Hz		25000 min ⁻¹ 417 Hz		25000 min ⁻¹ 417 Hz	
Stand-by speed	15000–25000 min ⁻¹ 250–417 Hz		15000–25000 min ⁻¹ 250–417 Hz		15000–25000 min ⁻¹ 250–417 Hz	
Maxi. bake-out temperature	-		75 °C		-	
Leak rate	< 5 · 10 ⁻⁸ hPa·l/s		< 5 · 10 ⁻⁸ hPa·l/s		< 5 · 10 ⁻⁸ hPa·l/s	
Purge flow rate	50 sccm		50 sccm		50 sccm	
Supply voltage ⁵⁾	200-240 V AC 50/60 Hz					
Maximum current leakage ⁶⁾	< 12 mA		< 12 mA		< 12 mA	
Max. apparent start up power ⁷⁾	< 1800 VA		< 2100 VA		< 1800 VA	
Start-up time ⁷⁾	< 10 mm		< 10 mm		< 10 mm	
Start-up power	< 1100 W		< 1500 W		< 1100 W	
Power consumed at ultimate pressure	< 130 W		< 520 W		< 130 W	
Power at minimum stand-by speed	< 100 W		< 500 W		< 100 W	
Vibration level (at nominal speed)	< 0.01 µm		< 0.01 µm		< 0.01 µm	
Sound level	< 45 dB (A)		< 45 dB (A)		< 45 dB (A)	
Electronic drive unit	Magpower					

1) Products that have customer specificities may have different characteristics.

2) With a pressure at exhaust < 0.4 hPa, depend on external conditions (temperature, water flow, ambient temperature). For other conditions, contact us.

3) Reduced maximum flow rate, ultimate pressure at exhaust without loss of flow rate speed. Depends on environmental conditions.

4) Best with ISO-F flange (best with CF-F flange). Consult us.

5) In accordance with EC regulations, the pumps can withstand a voltage variation of ± 10 %.

6) Value for the pump and electronic drive unit reported to the pump. All the current leakage may not pass through the earth wire, this depends on the way the pump is connected to the earth via the equipment in which it is integrated.

7) Acceleration up to 90% of nominal rotation speed, avec pression au refoulement < 0.1 hPa. The value depends on the electronic control unit. Value given with the Magpower controller.

12.3 Environmental characteristics

Characteristics	ATH 2800 M	ATH 2800 MT	ATH 3200 M	ATH 3200 MT
Use	indoor use			
Installation altitude	up to 2000 m			

¹⁾ Not applicable for air cooling version.

²⁾ Relative humidity max. 80% for temperatures up to 31°C with a linear decrease to 50% relative humidity at 40°C.

³⁾ Transient overvoltages up to overvoltage category II levels. Temporary overvoltages that affect the mains supply.

Characteristics	ATH 2800 M	ATH 2800 MT	ATH 3200 M	ATH 3200 MT
Indice de protection de la pompe	IP 42			
Ambient operating temperature ¹⁾	15 – 40 °C	15 – 25 °C	15 – 40 °C	15 – 25 °C
Storage temperature	-5 – +50 °C			
Maximum relative humidity ²⁾	80 % max. with T ≤ 31 °C, up to 50 % max. with T ≤ 40 °C			
Pollution degree	2			
Transient overvoltage protection ³⁾	Category II			

¹⁾ Not applicable for air cooling version.

²⁾ Relative humidity max. 80% for temperatures up to 31°C with a linear decrease to 50% relative humidity at 40°C.

³⁾ Transient overvoltages up to overvoltage category II levels. Temporary overvoltages that affect the mains supply.

Tbl. 5: Environmental characteristics

12.4 Cooling water characteristics

The characteristics below concern only the turbomolecular pump with magnetic ball bearings. This pump is associated with a backing pump. To ensure the effective operation of the application:

- ▶ Comply with the most restrictive characteristics for the installation.
- ▶ Make sure the water coming from the equipment does not freeze.

	pH	5.5 to 9
	Chlorides ¹⁾	100 to 20 ppm depending on the pH
	Hardness	< 35 °fH (French degree) < 7 milliequivalent/L < 350 mg/L of CaCO ₃ (calcium carbonate)
	Total dissolved solids	< 100 mg/L
	LSI (Langelier saturation Index) = pH - pHs	< 0 to 20 °C
	Particle size	< 0.2 mm
	Resistivity	R > 1 500 Ω cm
	Inlet temperature ²⁾	15-35 °C (M version) 15-25 °C (MT version)
	Relative inlet pressure	< 6 · 10 ³ hPa
	Input/output pressure difference	depends on flow
	Flow	> 60 l/h

1) The oxidizing action of the chlorine depends on the pH (aggressiveness of the water). The chloride content must be within the colored area on the graph.

2) According to the conditions of use, please contact us.

Tbl. 6: Cooling water characteristics

12.5 Nitrogen characteristics

H ₂ O concentration	< 10 ppm v
O ₂ concentration	< 5 ppm v
Dust	< 1 µm
Oil	< 0.1 ppm v
Absolut pressure	1 · 10 ³ to 1.5 · 10 ³ hPa

Tbl. 7: Nitrogen characteristics

12.6 Electrical characteristics

Characteristics of the three-phase motor	ATH 2800 M/MT	ATH 3200 M/MT
Voltage between phases	35 Vrms	35 Vrms
Power frequency	834 Hz	834 Hz
Phase current	17.5 A	17.5 A

Tbl. 8: Electrical characteristics of the pump

Main circuit breaker short circuit cut-off capacity	10 kA
Main circuit breaker rating	16 A (pour tension 200-240 V - 50/60 Hz)
GFI (or RCD) type B, differential circuit breaker compatible with TT ¹⁾ electrical networks	30 mA

¹⁾ for TN and IT networks, use appropriate protection measures.

Tbl. 9: Electrical characteristics of the customer's network

12.7 Dimensions and weight

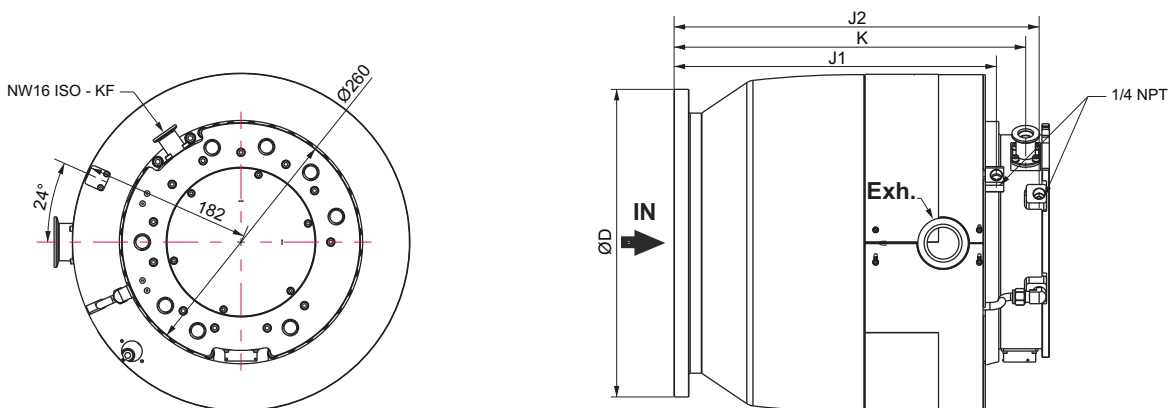


Fig. 9: ATH 2800 M dimensions

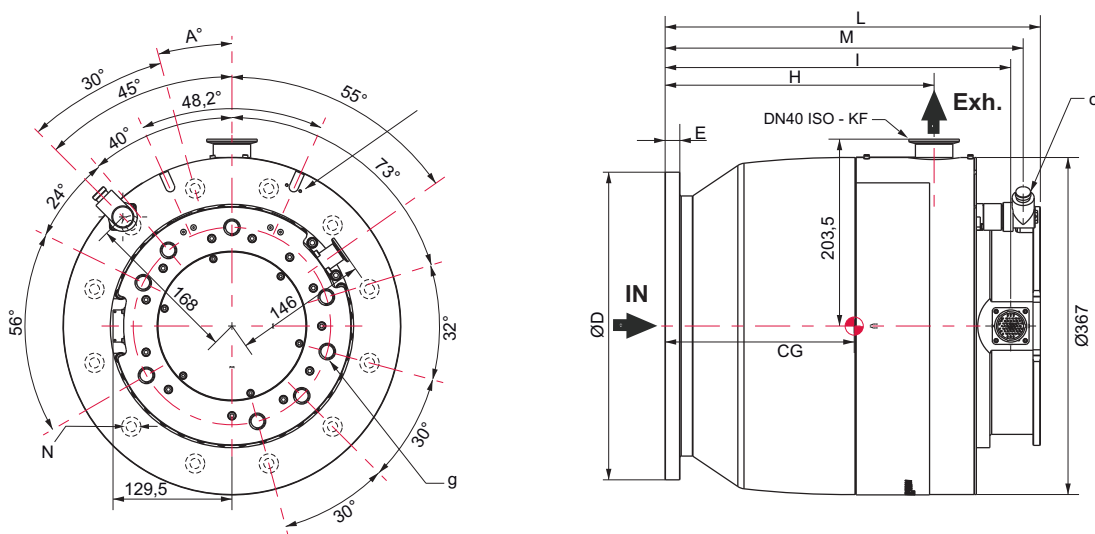




Fig. 10: ATH 2800 MT dimensions

 Center of gravity
 Equidistant holes Ø d2 on Ø d1

g Tapped holes M16 Ø 215mm
 o Heating belt connector

ATH 2800 M/MT - dimensions (mm)

Inlet flange	E	H	I	J1	J2	K	L	M	D	d1	d2	N	A*	CG
DN 250 ISO-F	16	292.9	376.3	351	398	389.2	408.6	389.9	335	310	11	12	15	206.3

* in degrees

ATH 2800 M Weight (kg)	ATH 2800 MT Weight (kg)
85	85

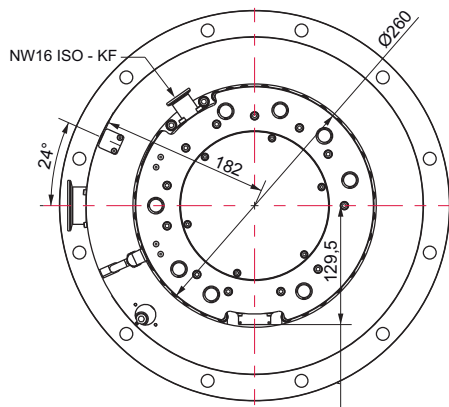


Fig. 11: ATH 3200 M dimensions

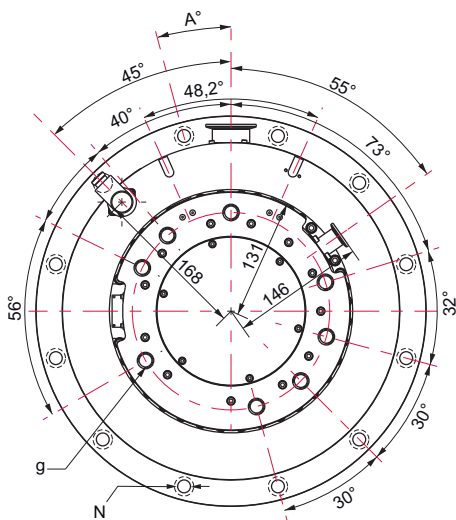
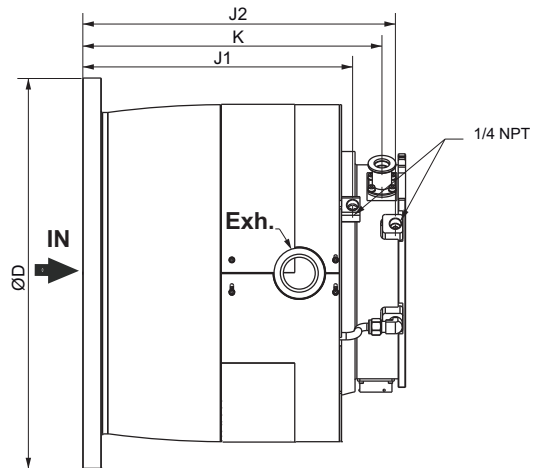
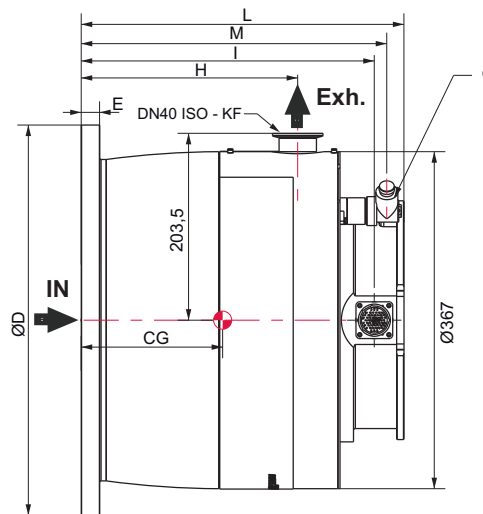


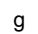
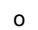


Fig. 12: ATH 3200 MT dimensions



-  Center of gravity
-  Equidistant holes \varnothing d2 on \varnothing d1

-  Tapped holes M16 \varnothing 215mm
-  Heating belt connector

ATH 3200 M/MT - dimensions (mm)

Inlet flange	E	H	I	J1	J2	o	L	M	D	d1	d2	N	A*	CG
DN 320 ISO-F	20	235.7	319.1	293.8	340.4	325.7	351.4	332.7	425	395	13.5	12	15	152.9

* in degrees

ATH 3200 M	ATH 3200 MT
Weight (kg)	Weight (kg)
82	82

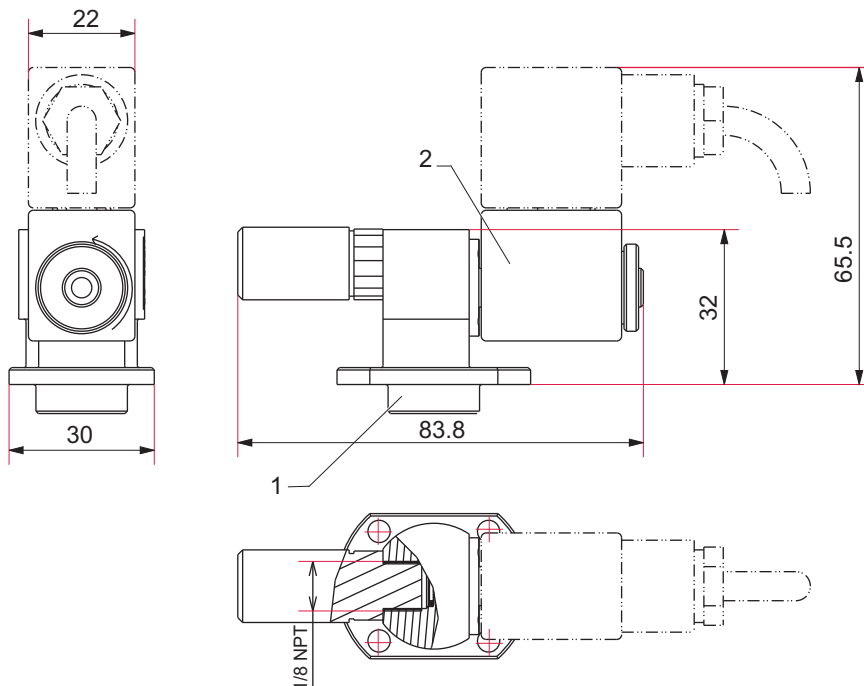


Fig. 13: Dimensions of Purge solenoid valve

- 1 Connection to pump
- 2 Possible rotation

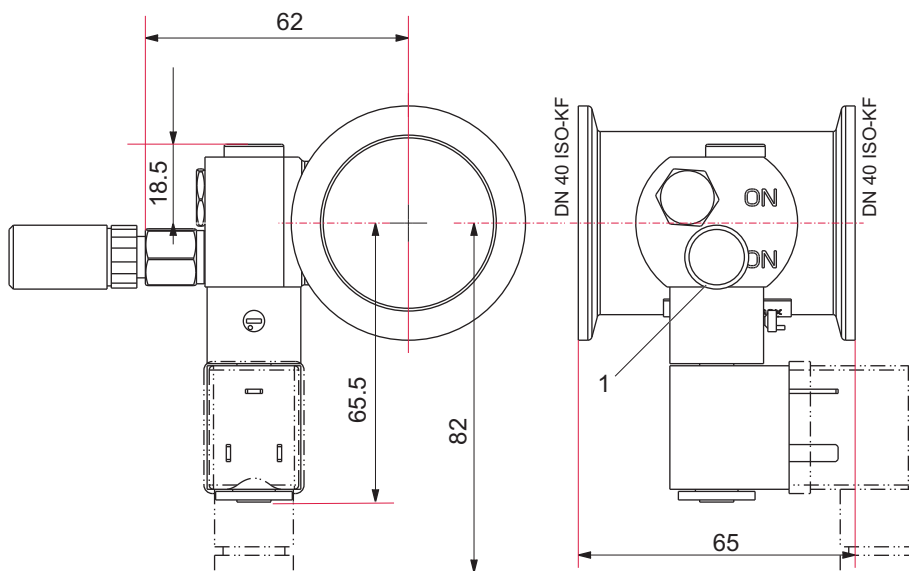


Fig. 14: Dimensions of Air inlet solenoid valve

- 1 1/8" NPT female connector

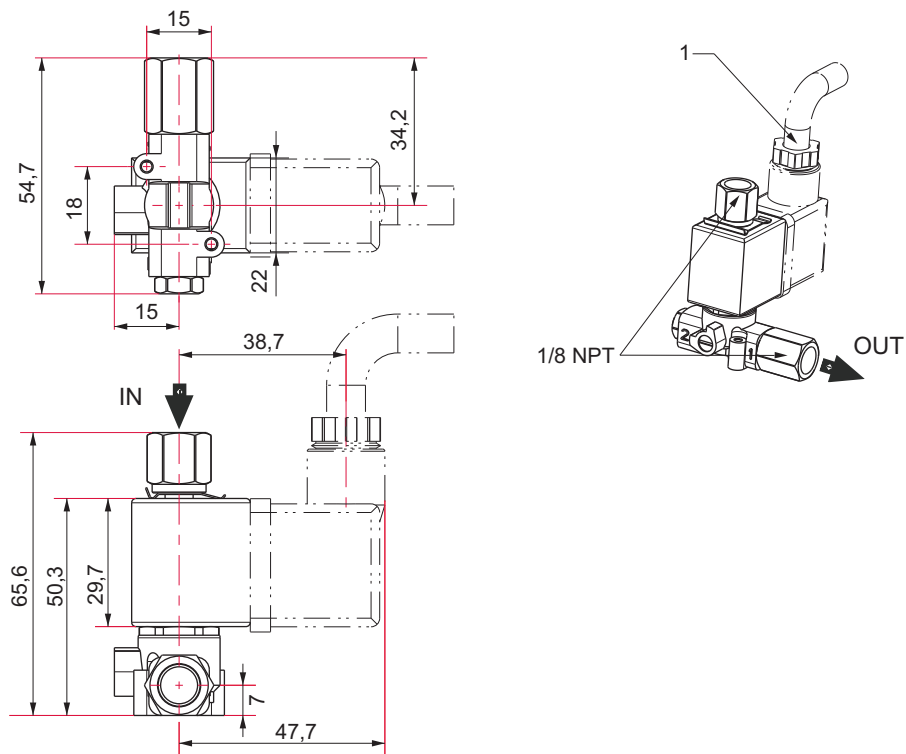


Fig. 15: Dimensions of water valve

1 Water valve cable

UK Declaration of Conformity

This declaration of conformity has been issued under the sole responsibility of the manufacturer.

Declaration for product(s) of the type:

Magnetically levitated turbomolecular pumps and deported electronic drive unit
ATH 2800 M
ATH 2800 MT
ATH 3200 M
ATH 3200 MT

We hereby declare that the listed product satisfies all relevant provisions of the following **British Directives**.

Supply of Machinery (Safety) Regulations 2008
Electrical Equipment (Safety) Regulations 2016
Electromagnetic Compatibility Regulations 2016
The Restriction of the Use of Certain Hazardous Substances in Electrical and Electronic Equipment Regulations 2012

Applied standards and specifications:

EN 1012-2/A1 : 2009
EN 61010-1/A1 : 2019
EN IEC 61000-6-2 : 2019
EN IEC 61000-3-2 : 2019
EN 61000-3-3/A1 : 2019
EN IEC 61000-6-4 : 2019

The manufacturer's authorized representative in the United Kingdom and the authorized agent for compiling the technical documentation is Pfeiffer Vacuum Ltd, 16 Plover Close, Interchange Park, MK169PS Newport Pagnell.

Signature:



(Guillaume Kreziak)
Managing Director

Pfeiffer Vacuum SAS
98, avenue de Brogny
74009 Annecy cedex
France
B.P. 2069

Annecy, 2023/06/05

**UK
CA**

EC Declaration of Conformity

This declaration of conformity has been issued under the sole responsibility of the manufacturer.

Declaration for product(s) of the type:

Magnetically levitated turbomolecular pumps and integrated electronic drive unit
ATH 2800 M
ATH 2800 MT
ATH 3200 M
ATH 3200 MT

We hereby declare that the listed product satisfies all relevant provisions of the following **European Directives**.

Machinery 2006/42/EC (Annex II, no. 1 A)
Electromagnetic compatibility 2014/30/EU
Restriction of the use of certain hazardous substances 2011/65/EU

The objectives of the Low Voltage Directive 2014/35/EU are complied with in accordance with Annex I, No. 1.5.1 of the Machinery 2006/42/EC.

Harmonized standards and national standards and specifications which have been applied:

EN 1012-2/A1 : 2009
EN 61010-1/A1 : 2019
EN IEC 61000-6-2 : 2019
EN IEC 61000-3-2 : 2019
EN 61000-3-3/A1 : 2019
EN IEC 61000-6-4 : 2019

The person authorized to compile the technical file is Mr. Varennes Nicolas, Pfeiffer Vacuum SAS (Simplified joint stock company), 98, avenue de Brogny B.P. 2069, 74009 Annecy cedex.

Signature:



(Guillaume Kreziak)
Managing Director

Pfeiffer Vacuum SAS
98, avenue de Brogny
74009 Annecy cedex
France
B.P. 2069

Annecy, 2023/06/05





VACUUM SOLUTIONS FROM A SINGLE SOURCE

Pfeiffer Vacuum stands for innovative and custom vacuum solutions worldwide, technological perfection, competent advice and reliable service.

COMPLETE RANGE OF PRODUCTS

From a single component to complex systems:

We are the only supplier of vacuum technology that provides a complete product portfolio.

COMPETENCE IN THEORY AND PRACTICE

Benefit from our know-how and our portfolio of training opportunities!

We support you with your plant layout and provide first-class on-site service worldwide.

Ed 05 - Date 2023/10 - P/N:1131900EN



Are you looking for a
perfect vacuum solution?
Please contact us

Pfeiffer Vacuum GmbH
Headquarters • Germany
T +49 6441 802-0
info@pfeiffer-vacuum.de

www.pfeiffer-vacuum.com

PFEIFFER  **VACUUM**